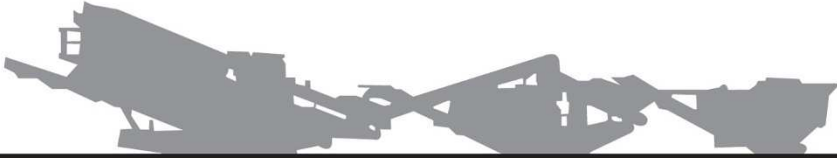


# Powerscreen<sup>®</sup> Chieftain 2400

## 3 Deck Incline Screen

Specification - Rev 6. 01/01/2013





## Specification

		Direct Feed (with aux conv)	Direct Feed (w/o aux conv)
<b>Total weight</b>		39,000kg (85,980lbs)*	36,000kg (79,366lbs)*
<b>Transport</b>	<b>Length</b>	15.65m (51' 5")	15.65m (51' 5")
	<b>Width</b>	3.0m (9' 11")	3.0m (9' 11")
	<b>Height</b>	3.6m (11' 10")	3.4m (11' 2")
<b>Working</b>	<b>Length</b>	17.35m (56' 11")	17.35m (56' 11")
	<b>Width</b>	15.36m (50' 4")	15.36m (50' 4")
	<b>Height</b>	6.56m (21' 6")	6.15m (20' 2")
<b>Screenunit</b>		6.1m x 1.83m (20' x 6')	6.1m x 1.83m (20' x 6')
<b>Powerunit</b>		Diesel / Hydraulic	Diesel / Hydraulic
<b>Plant Colour</b>		RAL 5021	RAL 5021

## Features & Benefits

- High capacity up to 750 tph (depending on feed size, mesh size & material type)
- Maximum feed size 150mm
- Engine protection shutdown system
- Heavy duty single shaft incline screenbox with adjustable stroke, angle & speed
- Hydraulic screen tensioning
- Screen mesh access system for quicker mesh changes
- Maximum mobility with heavy duty, low ground pressure crawler tracks
- Removable heavy duty pendant remote control system
- Quick set up time
- High performance hydraulic system - cast iron pumps & motors complete with hydraulic cooler
- Hydraulically folding conveyors for transport
- Fines conveyor drop down facility to aid bottom deck mesh access

## Applications

### Aggregate

- Sand & gravel
- Blasted rock
- River rock

### Recycling

- Top soil
- C&D waste
- Composted materials
- Wood by-products
- Overburden
- Foundry waste

### Mining

- Processed ores
- Processed minerals

**Abbreviations:** T=Track, W=Wheel, Std= Standard, Hyd= Hydraulic, W/O= Without, C/W= Complete with  
 EXT=Extended, DDVG= Double deck vibrating grid, Inc= Including, Aux= Auxiliary,  
 Conv= Conveyor, \* = depending on machine specification

# Powerscreen® Chieftain 2400

Specification - Rev 6. 01/01/2013

## Direct Feed Hopper

Target area: 1.67m (5' 5") long x 1.65m (5' 5") wide

Hopper capacity: 1.7m<sup>3</sup> (2.22 cu. yd.)

Feed in height: 2.45m (8')



## Main Conveyor

1200mm (48") 3 ply plain belt

13.1m (42' 11") drum centres

375mm (15") drum diameter (drive)

270mm (10.6") drum diameter (tail)

Hydraulically adjustable conveyor

Fully skirted & sealed

Variable speed control

Direct drive

Impact bars fitted beneath feedboot impact point

Angle adjustment: 16° - 21°



## Screenbox

6.1m x 1.83m (20' x 6') 3 deck incline screen

Highly aggressive screen drive

Oil filled 2 bearing screenbox

5 off media sections (side tension) top deck

5 off media sections (side tension) bottom deck

5 off media sections (side tension) bottom deck

Hydraulic screen angle adjustment 16° - 20°

Galvanised maintenance platform on both sides of screen

Breakerbox with wear resistant replaceable wearplate

Motor stand with heavy-duty shaft support

Impact plate on pipeunit



All specifications subject to change without prior notice



## Finesize - Tail Conveyor

1200mm (48") wide 3 ply plain belt  
9.25m (30' 4") drum centres  
375mm (15") drum diameter (drive)  
270mm (10.6") drum diameter (tail)  
  
4.35m (14' 3") stockpile height (to drum centre)  
160m<sup>3</sup> (209 cu. yd.) stockpile volume  
Fixed speed control  
Hydraulically folding  
Chevron belt as option  
Angle adjustment: 11° - 20°

## Mid-finesize & Mid-oversize - Side Conveyors

800mm (32") wide 3 ply chevron belt  
8.58m (28' 2") drum centres  
286mm (11") drum diameter (drive)  
270mm (10.6") drum diameter (tail)  
  
4.4m (14' 5") stockpile height (to drum centre)  
127m<sup>3</sup> (166 cu. yd.) stockpile volume  
Individual variable speed control  
Hydraulically folding  
Fixed angle: 25°

## Oversize - Auxiliary Conveyor (std)

650mm (26") wide 3 ply chevron belt  
800mm (32") wide 3 ply plain belt (option)  
8.26m (27' 1") drum centres (standard length)  
286mm (11") drum diameter (drive)  
203mm (10.6") drum diameter (tail)  
  
4.4m (14' 5") stockpile height (to drum centre)  
127m<sup>3</sup> (166 cu. yd.) stockpile volume  
Individual variable speed control  
Fixed angle: 25°



# Powerscreen® Chieftain 2400

Specification - Rev 6. 01/01/2013

## Powerunit & Hydraulics

### Engine:

CAT C6.6 ACERT (Tier 3 / Stage 3A) 6 cylinder diesel Engines are available to meet both US EPA emission standards under 40 CFR 1039.625 and EU flexibility provisions of Directive 97/68/EC.

### Performance:

129.5 kW (174hp) @ 2200rpm

### Tank Capacities:

Fuel: 597 L (158 US Gal)

Hydraulic Oil: 787 L (208 US Gal)

### Pumps:

Flywheel pump: David Brown 5073, 5053, 5053

PTO pump A: David Brown 5029, 5029

### Motors:

Main conveyor: Danfoss OMV800 800cc/rev

Tail conveyor: Danfoss OMV800 800cc/rev

Side conveyors: Danfoss OMV500 800cc/rev

Auxiliary conveyor: Danfoss OMV400 800cc/rev

Screen: Parker 93cc/rev



## Crawler Track Data

Track width: 500mm  
Output Torque: 41,269 Nm  
Gradability Degrees: 25.8°  
Gearbox Ratio: 1:161  
Hydraulic Motor: 90cc/rev  
Approximate Speed: 0.9kph (0.56mph)  
Total flow per track: 106 Lpm

## Other Options

Different coloured machine  
Auto lubrication system  
Radio controlled tracking  
Quick release wedge tensioning for all decks  
Roll-in bogie  
Hydraulic jacking legs  
Dust suppression

### Extended Auxiliary Conveyor

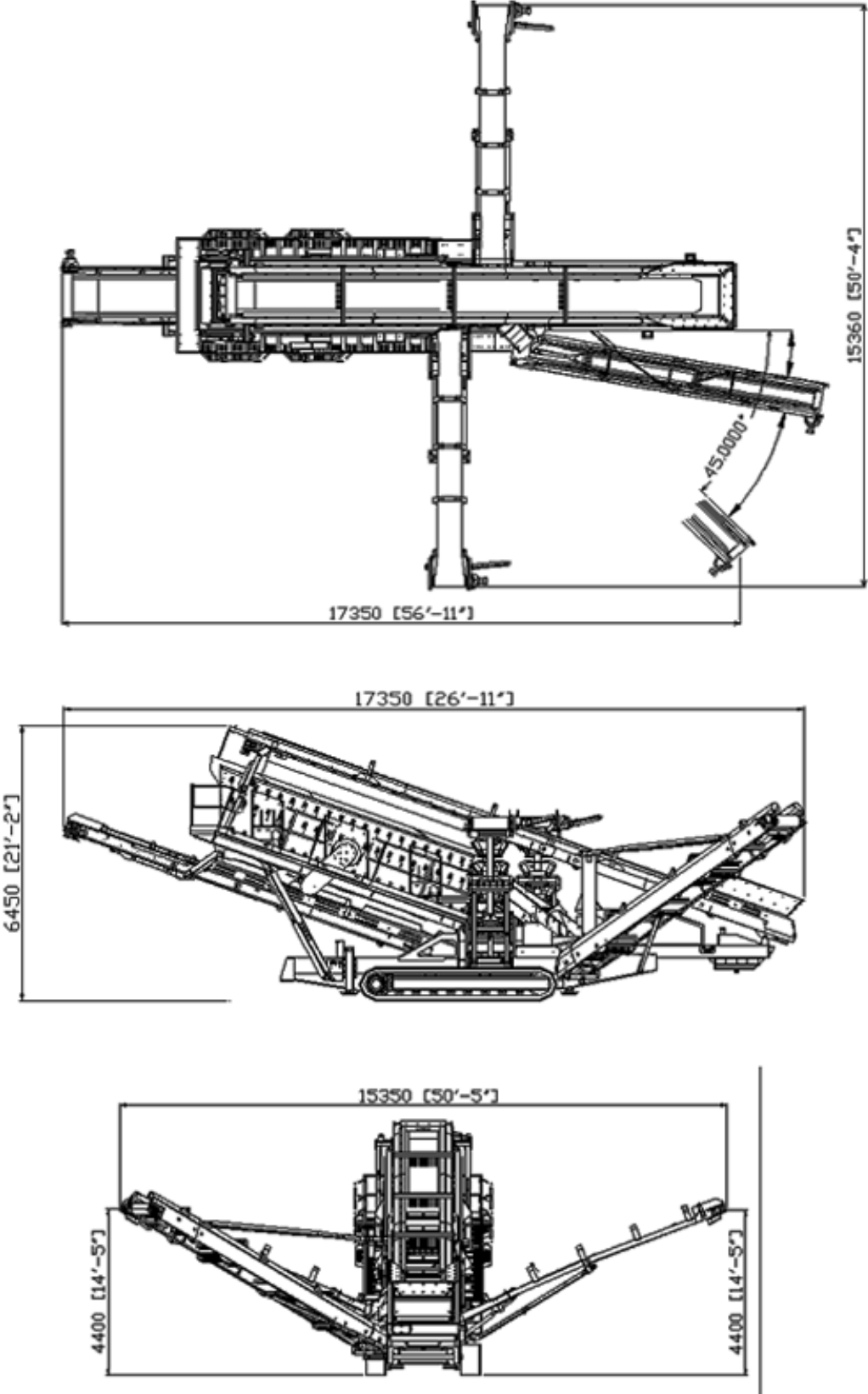
650mm (26") wide 3-ply chevron belt  
13.65m (44' 9") drum centres  
286mm (11") drum diameter (drive)  
203mm (10.6") drum diameter (tail)  
Individual variable speed control  
Fixed angle: 25°

All specifications subject to change without prior notice



# Powerscreen® Chieftain 2400

Specification - Rev 6. 01/01/2013



**Figure 1: Chieftain 2400 3 Deck  
Standard Length Auxiliary Conveyor  
Working Position**

All specifications subject to change without prior notice



# Powerscreen® Chieftain 2400

Specification - Rev 6. 01/01/2013

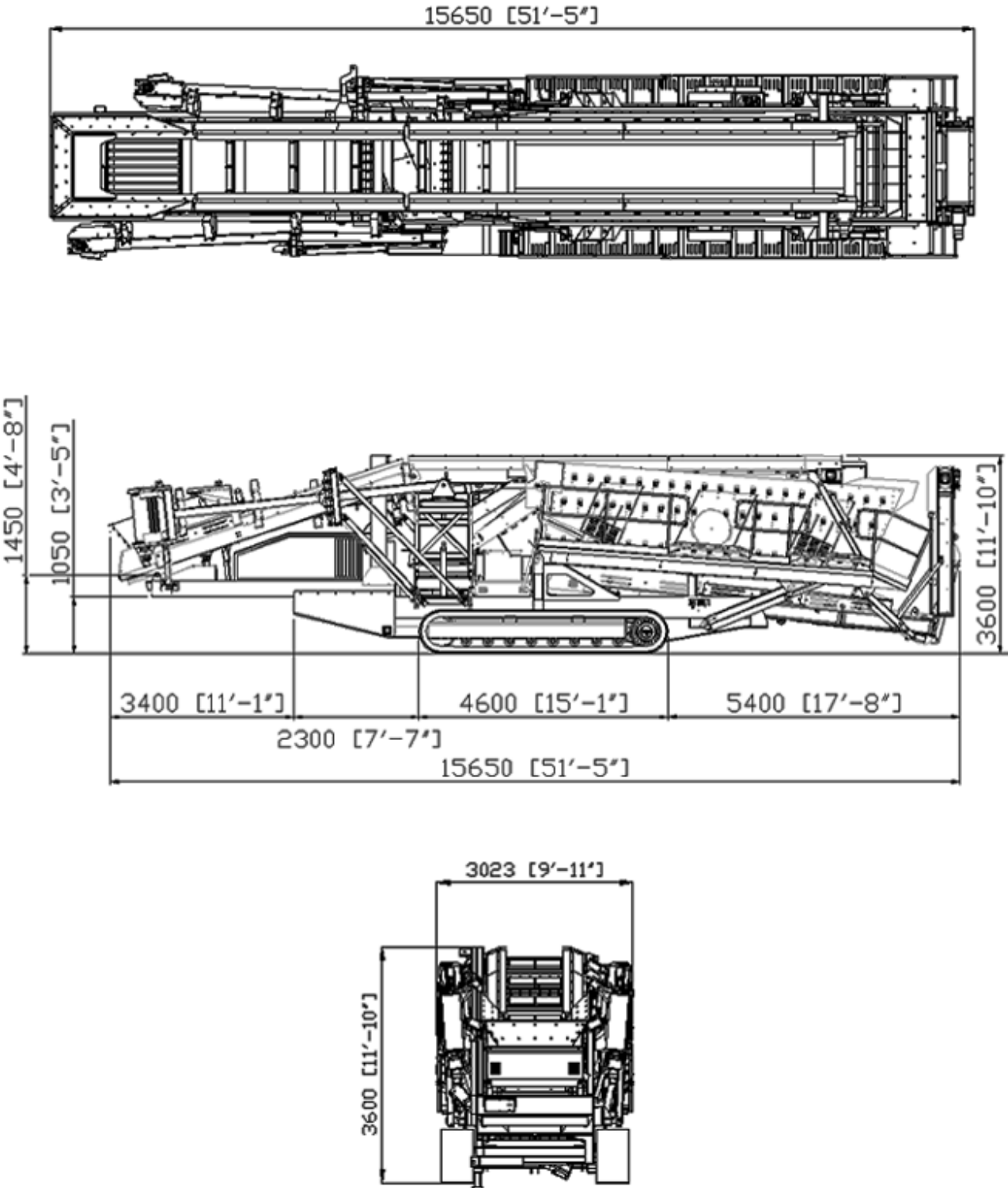


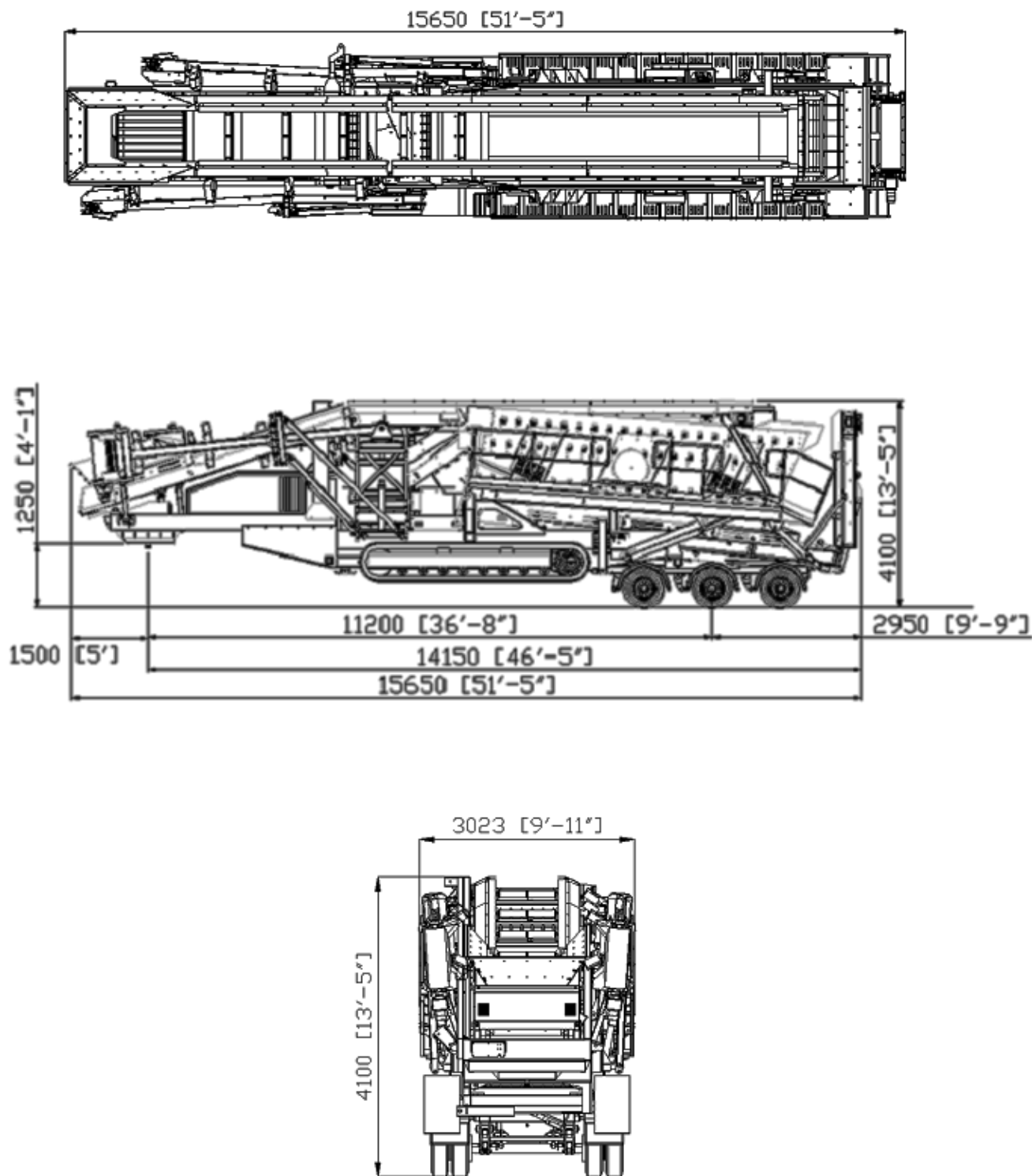
Figure 2: Chieftain 2400 3 Deck  
Auxiliary Conveyor Removed  
Transport Position

All specifications subject to change without prior notice



# Powerscreen® Chieftain 2400

Specification - Rev 6. 01/01/2013



**Figure 3: Chieftain 2400 3 Deck  
Auxiliary Conveyor Removed  
Roll-in Bogie  
Transport Position**

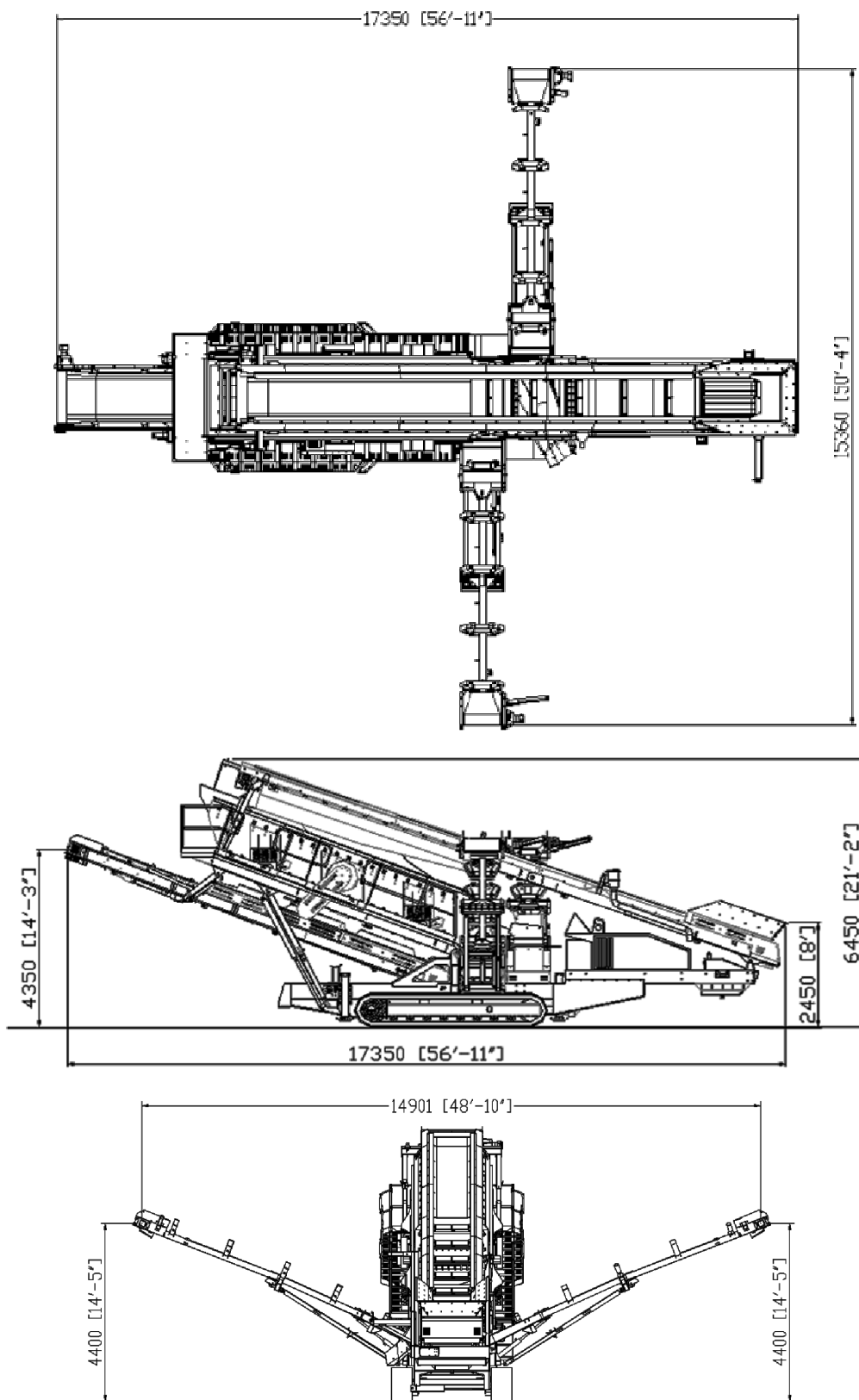
All specifications subject to change without prior notice





# Powerscreen® Chieftain 2400

Specification - Rev 6. 01/01/2013



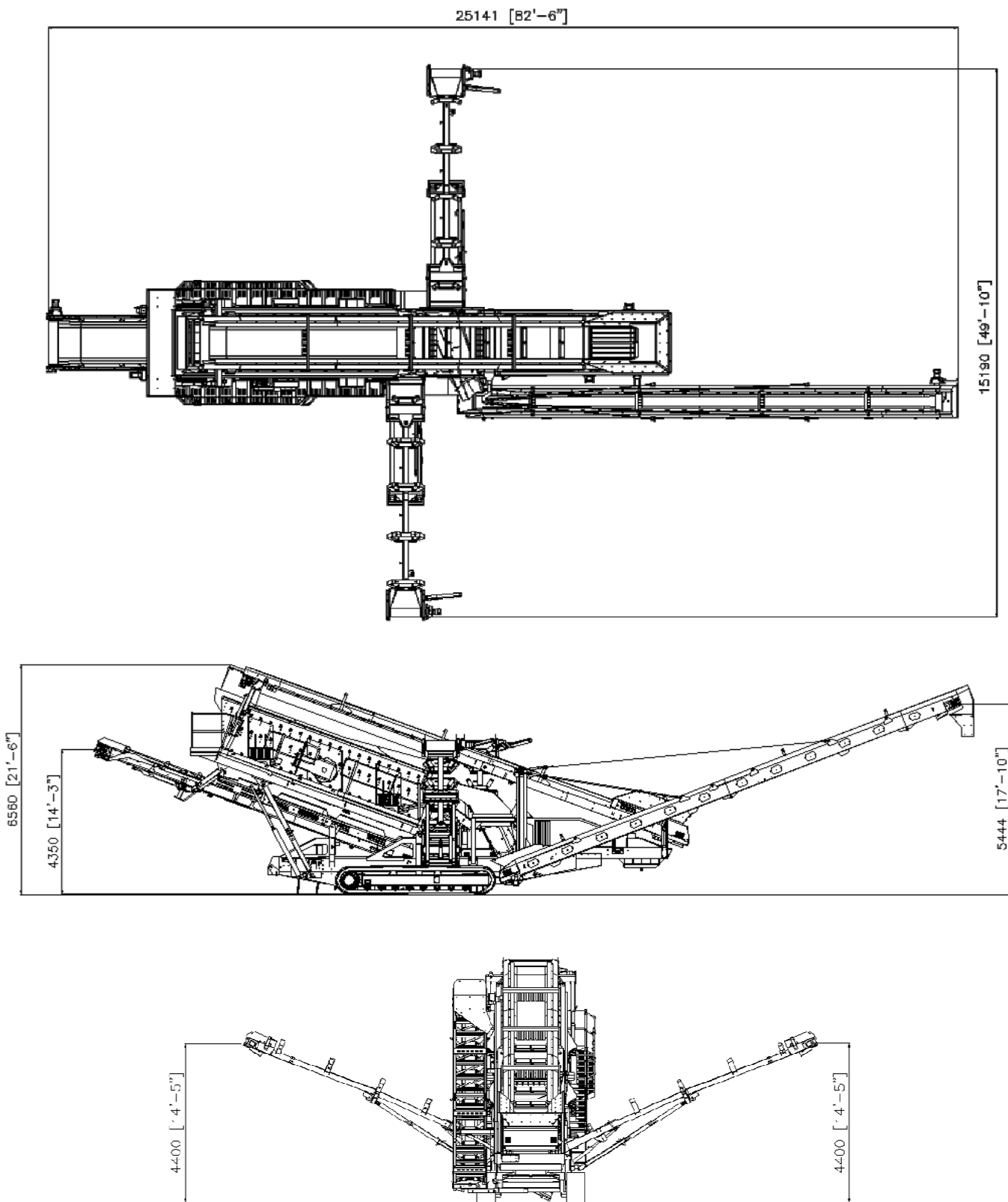
**Figure 4: Chieftain 2400 3 Deck  
Auxiliary Conveyor Removed  
Working Position**

All specifications subject to change without prior notice



# Powerscreen® Chieftain 2400

Specification - Rev 6. 01/01/2013



**Figure 5: Chieftain 2400 3 Deck  
Extended Auxiliary Conveyor  
Working Position**

All specifications subject to change without prior notice



# Powerscreen® Chieftain 2400

Specification - Rev 6. 01/01/2013



## **Powerscreen equipment complies with CE requirements.**

Please consult Powerscreen if you have any other specific requirements in respect of guarding, noise or vibration levels, dust emissions, or any other factors relevant to health and safety measures or environmental protection needs. On receipt of specific requests, we will endeavour to ascertain the need for additional equipment and, if appropriate, quote extra to contract prices.

All reasonable steps have been taken to ensure the accuracy of this publication, however due to a policy of continual product development we reserve the right to change specifications without notice.

It is the importers' responsibility to check that all equipment supplied complies with local legislation regulatory requirements.

Plant performance figures given in this brochure are for illustration purposes only and will vary depending upon various factors, including feed material gradings and characteristics. Information relating to capacity or performance contained within this publication is not intended to be, nor will be, legally binding.

Terex GB Ltd.  
200 Coalisland Road  
Dungannon  
Co. Tyrone  
Northern Ireland  
BT71 4DR

Tel: +44(0) 28 8774 0701  
Fax: +44(0) 28 8774 6569

E-Mail: [sales@powerscreen.com](mailto:sales@powerscreen.com)  
Web: [www.powerscreen.com](http://www.powerscreen.com)

Terex is a registered trademark of Terex Corporation in the United States of America and many other countries.  
Powerscreen is a registered trademark of Terex GB Ltd in the United States of America and many other countries.

Copyright Terex Corporation 2013