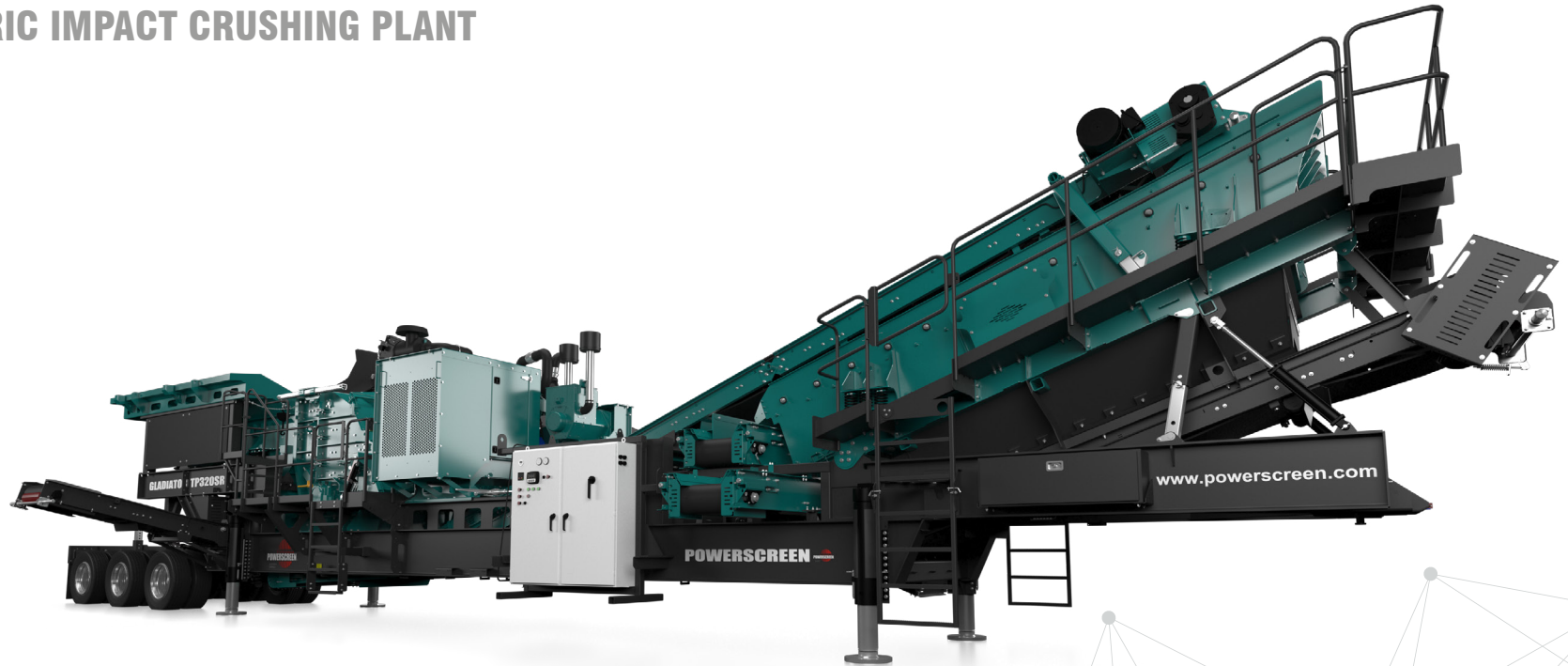


POWERSCREEN® GLADIATOR TP320SR

PORTABLE ELECTRIC IMPACT CRUSHING PLANT



TECHNICAL SPECIFICATION - REV 1 01/01/2022





GLADIATOR TP320SR



OVERVIEW

SPECIFICATION

Transport	Length	69' (21.03m)
	Height	13' 5" (4.09m)
	Width	11' 10" (3,6m)
Working	Length	68' 10" (20.98m)
	Height	16' 7" (5.06m)
	Width	18' 11" (5.77m)
Plant Colour	RAL 5021, RAL 7024	

	Kingpin Weights	Axle Weights	Total Weight
Base Plant:	44,809lbs (20,325kg)	58,839lbs (26,689kg)	103,648lbs (47,014kg)
Optional 20' VGF:	46,731lbs (21,197kg)	70,581lbs (32,015kg)	117,312lbs (53,212kg)
Pre-Screen/Pan Feeder:	41,400lbs (18,779kg)	59,680lbs (27,070kg)	101,080lbs (45,849kg)
All Electric Drive:	42,417lbs (19,240kg)	56,439lbs (25,600kg)	98,856lbs (44,840kg)

*All weights included select options : 24" Bypass conveyor, run-on jacks, magnet & walkways

The Powerscreen Gladiator TP320SR is a wheeled, hybrid-electric drive closed circuit impact crusher. This closed circuit crushing and screening plant combines the tried and tested Trakpactor 320 impact crusher and Chieftain 1700 2 deck inclined screenbox for recirculation.

The crusher is hydraulically clutch driven as standard via a 350hp Scania diesel engine. All of the other components are driven via an onboard 150kW generator with the addition of a gas power unit to power some hydraulic functions such as screen raise and levelling jacks. There is however the option to remove this engine and go fully electric.

The Gladiator TP320SR, with its large screenbox, wide conveyors and low maintenance electric drive components ensures to be a highly productive, high value plant.

FEATURES & BENEFITS

- Output potential of up to 320 tph / 353 US tph - depending on material type and crusher settings.
- Suitable for a variety of feed materials.
- Excellent product shape.
- High reduction ratio.
- Proven Terex impact crusher with hydraulic overload protection, 4 bar rotor & twin apron design.
- Access ladders on both sides to access the upper deck.
- E-Stops on both sides of the unit.

APPLICATIONS



Aggregate
Sand & gravel
Blasted rock
River rock



Recycling
C&D waste
Overburden
Foundry waste



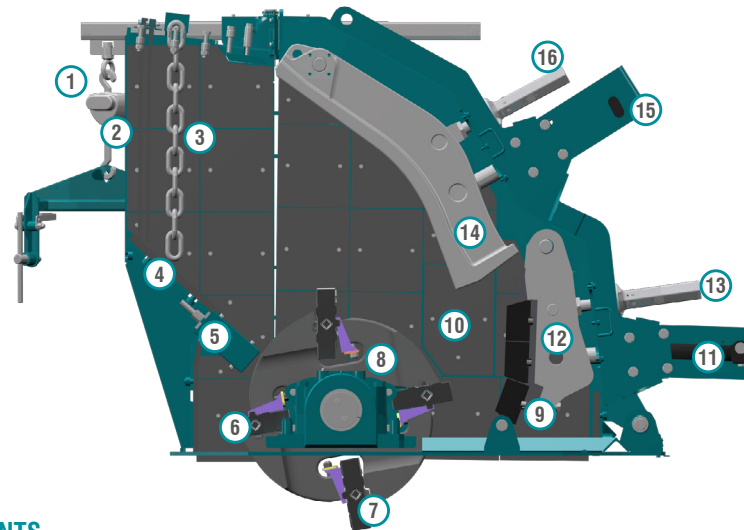
Mining
Processed ores
Processed minerals



GLADIATOR TP320SR



↓ CRUSHER



PRINCIPAL COMPONENTS

- 1: Crusher Opening
- 2: Rubber Curtain
- 3: Chain Curtain
- 4: Inlet Chute
- 5: Inlet Wear Bar
- 6: Full Blow Bar
- 7: Half Blow Bar
- 8: Rotor
- 9-10: Wear Liners
- 11: Control Cylinder
- 12: Bottom Impact Apron
- 13: Apron Adjustment Spindle
- 14: Top Impact Apron
- 15: Control Cylinder
- 16: Apron Adjustment Spindle

PRINCIPLES OF OPERATION

Material enters via crusher opening & slides down the inlet chute where it is struck by the blow bars fixed within the rotor. This initial impact breaks the material which is then accelerated towards the top apron where more reduction takes place on impact. This material then falls back onto the blow bars & the cycle is repeated until the material is small enough to pass between the top apron & blow bar. Further reduction occurs on the bottom apron until the material can again pass

through the gap & discharge from the underside of the crusher. Should an un-crushable object enter the chamber, the overload cylinders will relieve & allow the object to pass. The cylinders will then return to the pre-set crushing position. The pre-set gap is adjusted by turning the adjustment spindle whilst the weight of the apron is held on the cylinder (hydraulic assist).

The hydraulic cylinders are pre-loaded to minimise apron bounce & wear on the cylinders. This arrangement also greatly reduces the oversize produced & is Patented: GB2455203

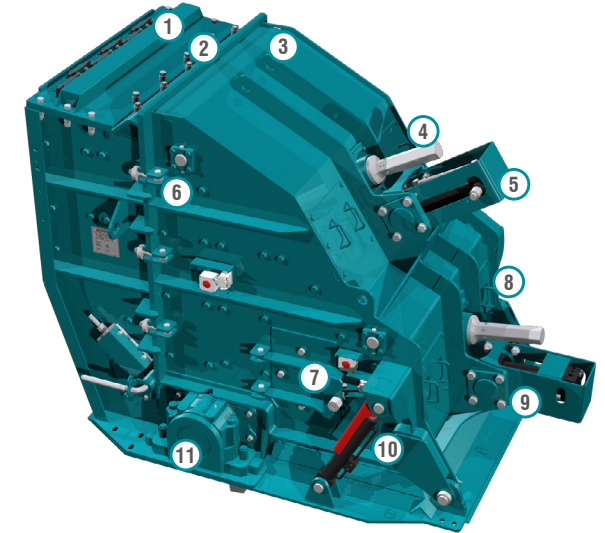


GLADIATOR TP320SR



CRUSHER SPECIFICATION

Feed opening:	44.5" x 31.5" (1130mm x 800mm)
Max lump size*:	18in ³ (450mm ³) / 31" (780mm) diagonally / 31 x 20 x 10" (800 x 500 x 250mm) slab * depending on material & blow bar specification
Rotor width:	43.3" (1100mm)
Rotor diameter:	40.5" (1030mm)
Number of aprons:	2
Max clearance:	7" (180mm) on both aprons
Max OSS setting:	6" (150mm) upper apron, 2" (50mm) lower apron
Min CSS setting:	2.9" (75mm) upper apron, 0.75" (20mm) lower apron
Blow bars:	Total of 4 blow bars
Blow bar removal:	Vertically
Blow bar configuration:	2 full & 2 half (optional 4 full)
Setting adjustment:	Hydraulic assist
Overload protection:	Hydraulic
Rotor speeds:	105 - 131 ft/s (595 - 735rpm) (32 - 40 m/s)
Applications:	Demolition / recycling / quarry
Crusher weight:	19,842lbs (9,000kg)
Full blow bar weight:	485lbs (220kg)
Side liners:	0.75" (20mm) thick, abrasive resistant steel



PRINCIPAL COMPONENTS

- 1: Chain curtain cover
- 2: Main welded body
- 3: Impactor hinged section
- 4: Toggle bolts with enclosed polyurethane shock absorber
- 5: Inspector covers
- 6: Hydraulic overload & adjustment cylinders
- 7: Side door
- 8: Inspection covers
- 9: Bearing plumber block housing with mud guard & heavy duty labyrinth seals
- 10: Trunions
- 11: Hinged section opening cylinder



GLADIATOR TP320SR



↓ CRUSHER FEATURES

- Crusher body:** Precision fabricated from structural steel plate & fully lined with replaceable 500 HB abrasion resistant liner plates. Hinged side door allows access to apron tips & rotor for gap measurements & inspection. Complete hinged section opens hydraulically to allow blow bar removal & replacement, apron & liner replacement or major maintenance.
- Rotor:** Structural steel & fitted with four reversible, replaceable & fully clamped blow bars
- Bearings:** Double row self aligning spherical roller bearing fitted each end of rotor
- Aprons:** Cast manganese steel with replaceable 500 HB abrasion resistant wear plate on tip of bottom apron
- Drive:** Direct through wedge belts with tensioning system on the power unit
- Lubrication:** Grease lubricated rotor bearings fitted with inner & outer independently lubricated heavy duty labyrinth seals
- Blow bars:** Standard blow bar is martensitic steel, options are available in ceramic, medium chrome, medium chrome ceramic, high chrome, high chrome ceramic & toughened chrome

APPLICATIONS

This plant is designed for both demolition & quarrying applications. When fitted with martensitic or ceramic blow bars the crusher will tolerate small quantities of steel reinforcing bar in the feed. However, the machine is not designed to accept large pieces of steel or other un-crushable objects & the feed material should be assessed / inspected for suitability prior to crushing. It is vitally important that large pieces of steel or similar un-crushable objects are not allowed to enter the crushing chamber as severe damage & injury may occur.

When high chrome bars are fitted **all** steel should be removed from the feed material. The machine should only be used on quarry applications or clean materials such as asphalt.



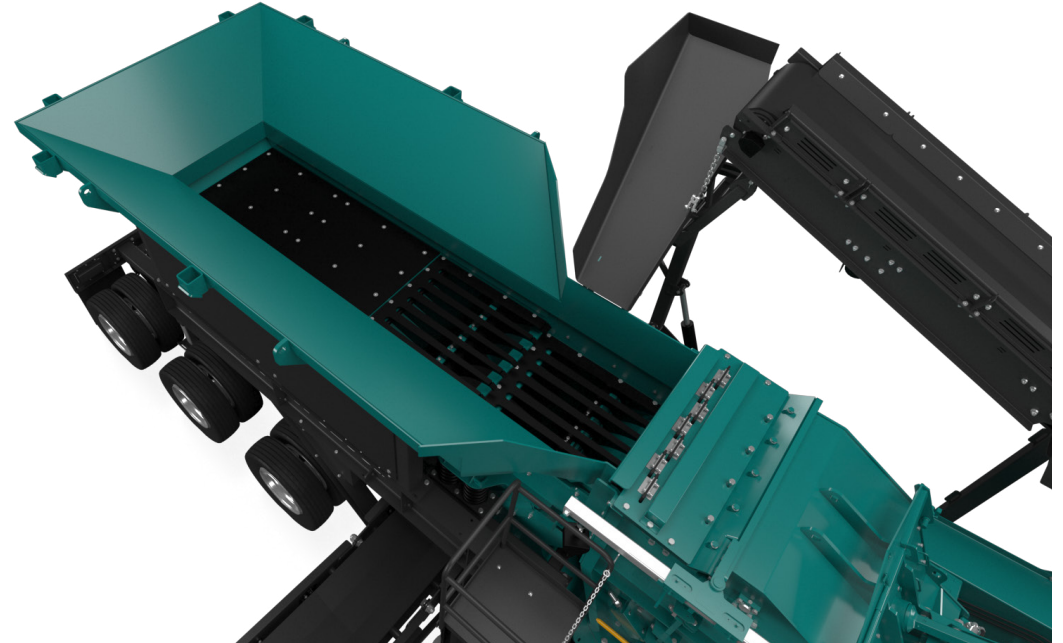


GLADIATOR TP320SR



HOPPER & VGF

- Hopper Capacity:** 11.2 cu.yd (8.6m³)
- VGF Length:** 14' 3" (4.34m)
- VGF Width:** 3' 6" (1.07m)
- Motor:** 20hp (15kW) variable speed electric motor
- Feed Height:** 13' 3" (4.04m)





GLADIATOR TP320SR



↓ SCREENBOX

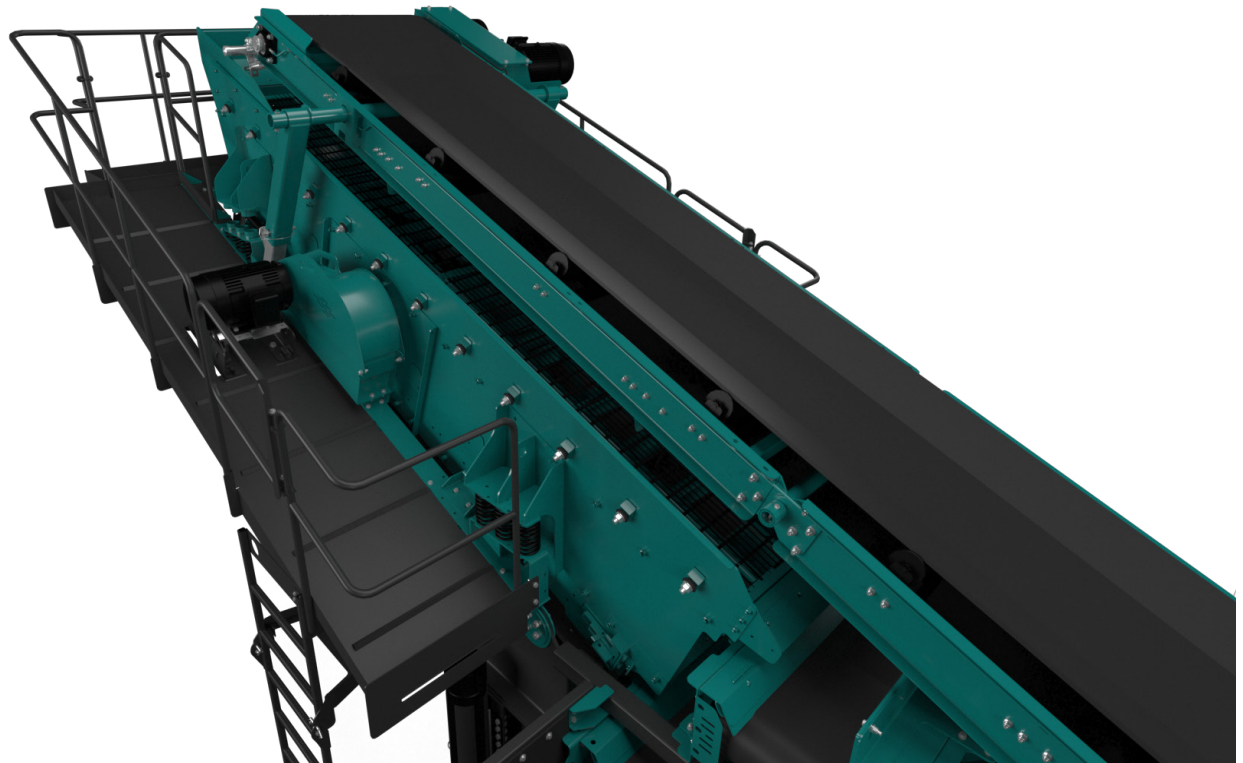
16' x 5' (4.8m x 1.5m) 2 deck incline screen
Highly aggressive screen drive
Grease filled 2 bearing screenbox

16' x 5' (4.8m x 1.5m) top deck
13' x 5' (3.9m x 1.53m) bottom deck

4 of media sections (side tension) top deck
2 of media sections (end tension) bottom deck

Hydraulic screen angle fixed at 20°
Hydraulic screen tensioning on bottom deck
Walkways on 3 sides of the screenbox

Motor: 20hp (15kW) electric motor
Optional service platform with folding ladders





GLADIATOR TP320SR



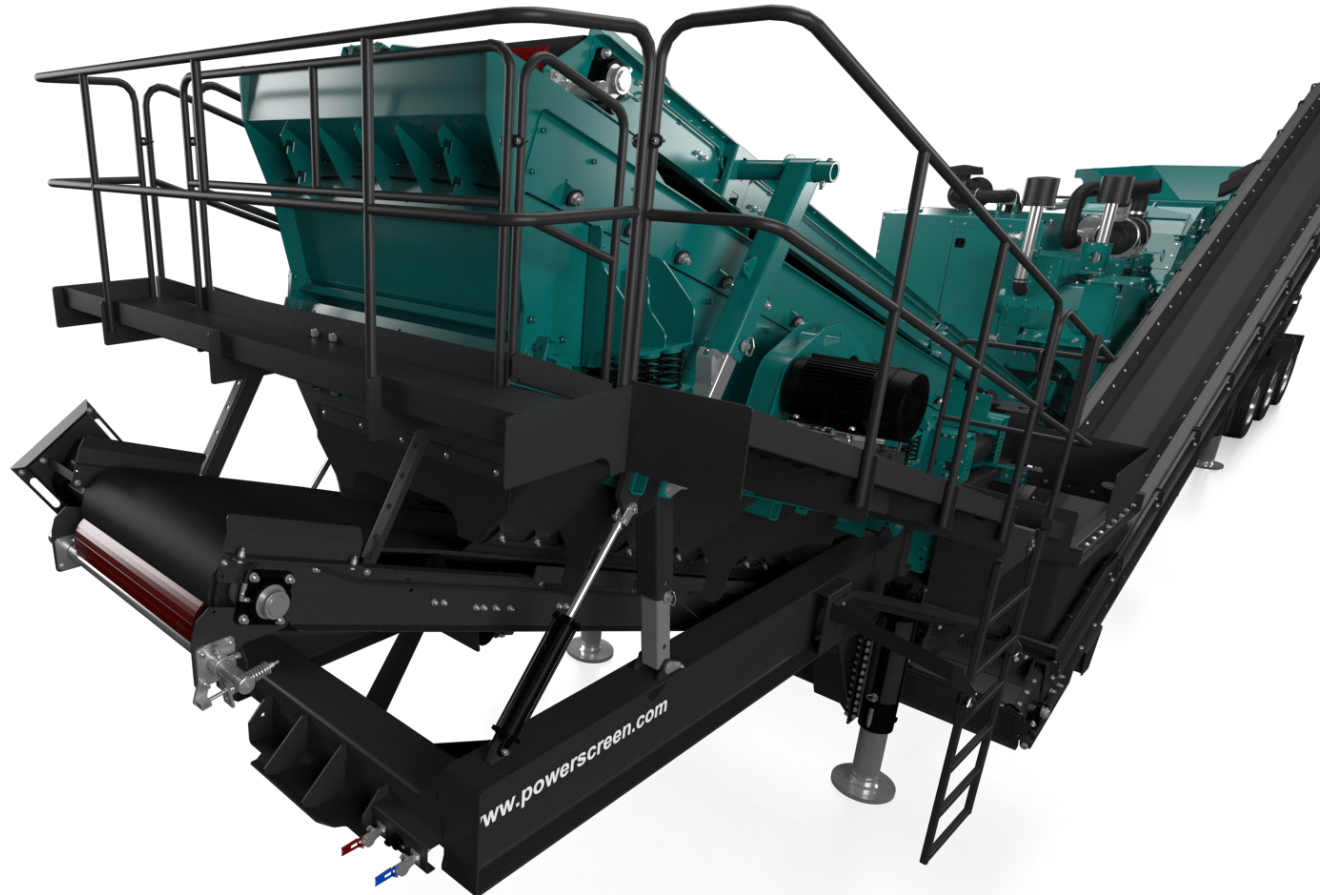
FINES & UNDER CRUSHER CONVEYOR

FINES CONVEYOR

Belt Width: 42" (1067mm)
Discharge Height: 8' 7" (2.6m)
Stockpile Capacity: 34 yd³ (26m³)
Motor: 10hp
3 ply belt,

UNDER CRUSHER CONVEYOR

Belt Width: 42" (1067mm)
Motor: 20hp
Extra heavy 3 Ply - 600 PIW belt
Automatic hydraulic tail lift for transport





GLADIATOR TP320SR



RECIRCULATING & CROSS CONVEYORS

RECIRCULATING CONVEYOR

Belt Width: 24" (610mm)

Motor: 7.5hp (5.6kW) electric

Hydraulically raises for operation.

Hydraulically lowers for travel.

Accepts material from both cross conveyors and discharges to the grizzly section,

3 ply belt.

CROSS CONVEYORS X 2

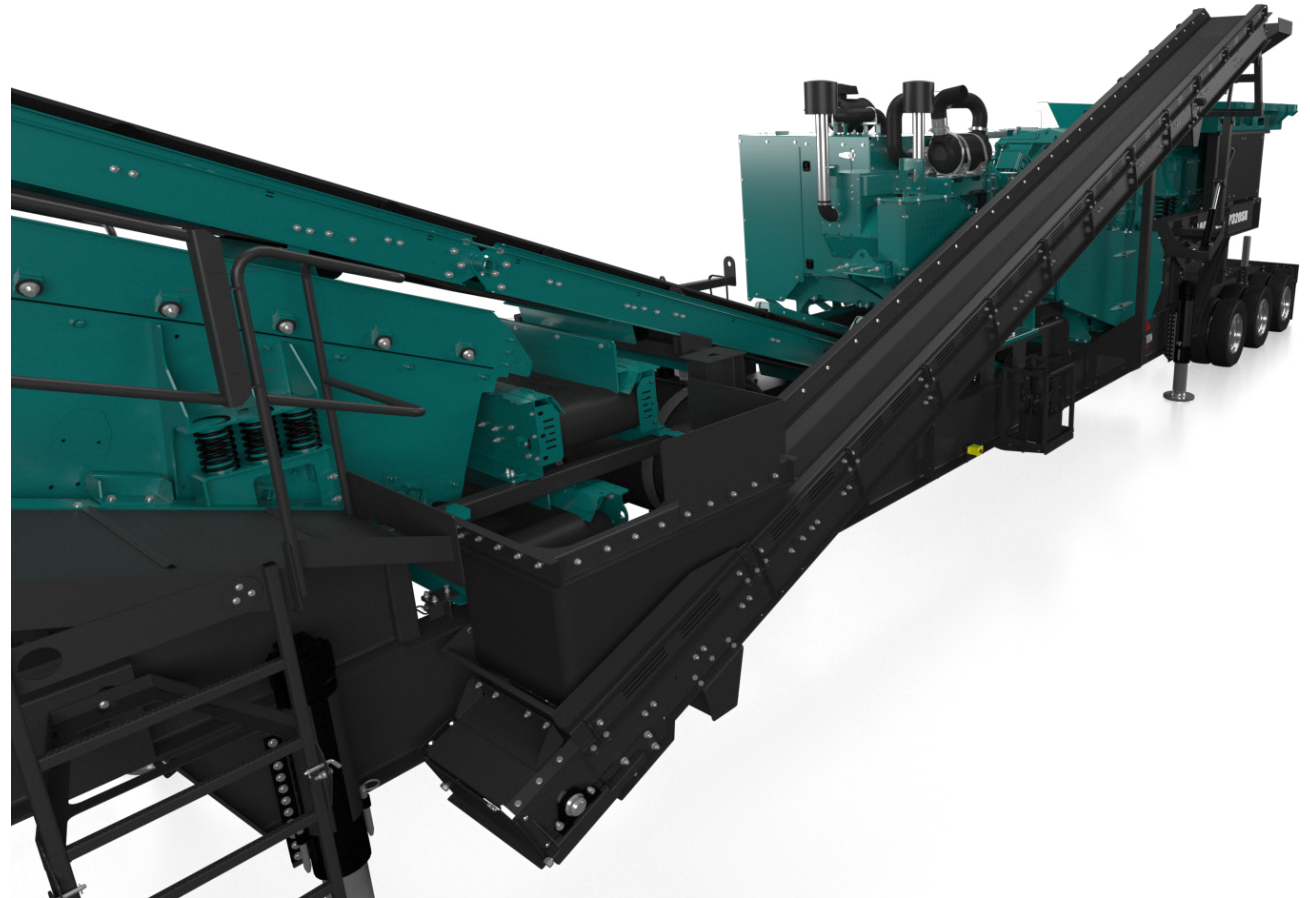
Belt Width: 24" (610mm)

Motor: 5hp (3.7kW) electric

Bottom deck conveyor is reversible.

Cartridge style full length skirts.

3 ply belt





GLADIATOR TP320SR



POWER UNIT & GENERATOR

POWER UNIT

Engine Tier 4F / Stage IV:

Scania

Performance:

350hp

Optional Tier 3 engine

GENERATOR

Output: 150kW

460V

3 Phase

60Hz





GLADIATOR TP320SR



BOGIE

Type:	Heavy duty spring suspension
Size:	295/75 R22.5
No of Axles:	3
No of Studs:	10
Brakes:	Air brakes





GLADIATOR TP320SR



OTHER

JACKS

Gas powered hydraulic levelling jacks & screen lift
 4 no of 6" x 18" hydraulic levelling jacks

GAS POWERED HYDRAULICS

- Used for:
- Opening crusher
 - Adjusting CSS
 - Screen & recirc conveyor raise
 - Hydraulic jack

PANEL

Removable electric Switchgear panel.
 Contains simple push button control system.
 NEMA 4 panel has door mounted push button controls and hour meter.
 Variable speed inverter for 20hp feeder motor.
 Reversing starters for 2nd cross conveyor.
 Includes 2 x additional off plant starters and quick release plugs as standard.

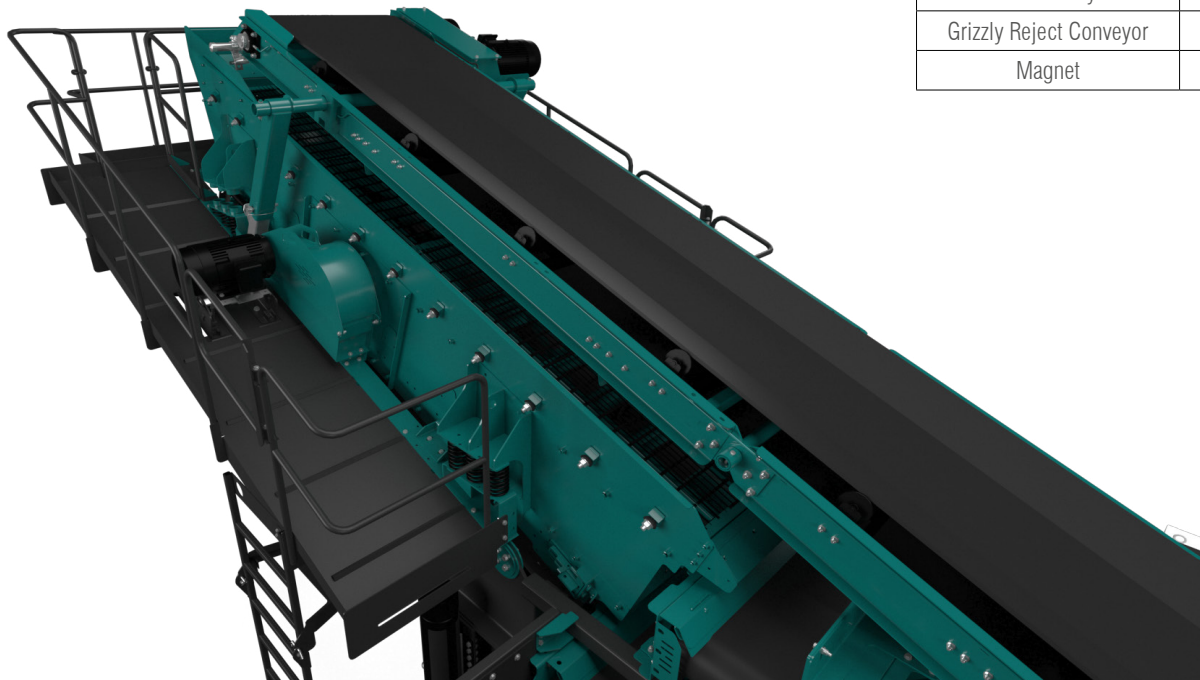
PLATFORMS

Crusher service platforms with access ladder

OTHER

- Lockable side mounted 4' toolbox
- Blowbar cradle
- Remote greasing lines

	Power
Impactor	200hp (150kW)
Inclined Screen	20hp (15kW)
VGf or Pan/Pre-Screen;	20hp (15kW)
Recirculating Conveyor	7.5hp (5.6kW)
Under Crusher Conveyor	20hp (15kW)
Cross Conveyors	5hp (3.8kW)
Fines Conveyor	10hp (7.5kW)
Grizzly Reject Conveyor	7.5hp (5.6kW)
Magnet	1.5hp (1kW)





GLADIATOR TP320SR



↓ OPTIONS

Bypass Conveyor

Belt Width:	24" (610mm)
Motor:	7.5hp (5.6kW)
Discharge Height:	6' (1.83m)
Stockpile Capacity:	12 yd ³ (9m ³)

Pre-Screen

Pan Feeder Length:	100" (1.2m)
Pan Feeder Width:	42" (1.07m)
Pre-Screen Length:	78" (1.98m)
Pre-Screen Width:	42" (1.07m)
Standard Grizzly:	1.5" (38mm) grizzly fingers
Optional Grizzly:	2", 2.5", 3"

Rubber blanking mat on bottom deck



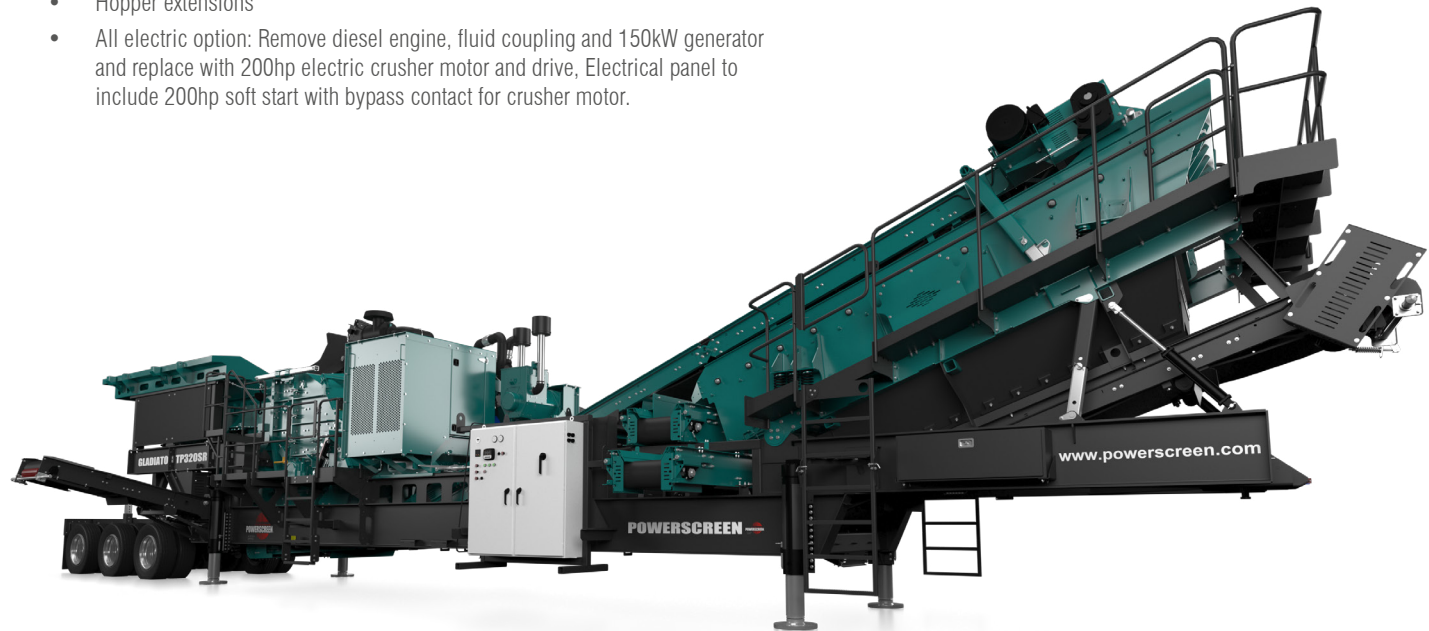


GLADIATOR TP320SR



↓ OPTIONS 1

- Radio remote
- Screen side platforms & ladder
- Dual pinned hydraulic run on jacks
- Self cleaning cross belt magnet
- Folding bypass conveyor
- Various grizzly options for bar spacing, punch plate and bottom deck mesh
- Pre-screen
- 20' feeder
- Under crusher pan feeder
- Hopper extensions
- All electric option: Remove diesel engine, fluid coupling and 150kW generator and replace with 200hp electric crusher motor and drive, Electrical panel to include 200hp soft start with bypass contact for crusher motor.



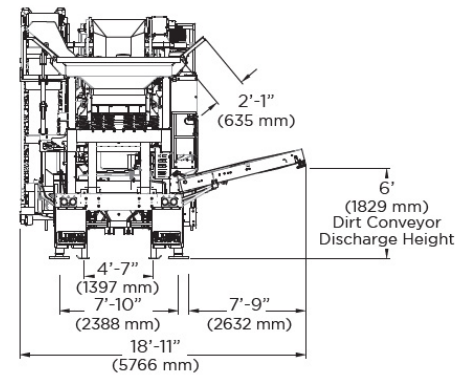
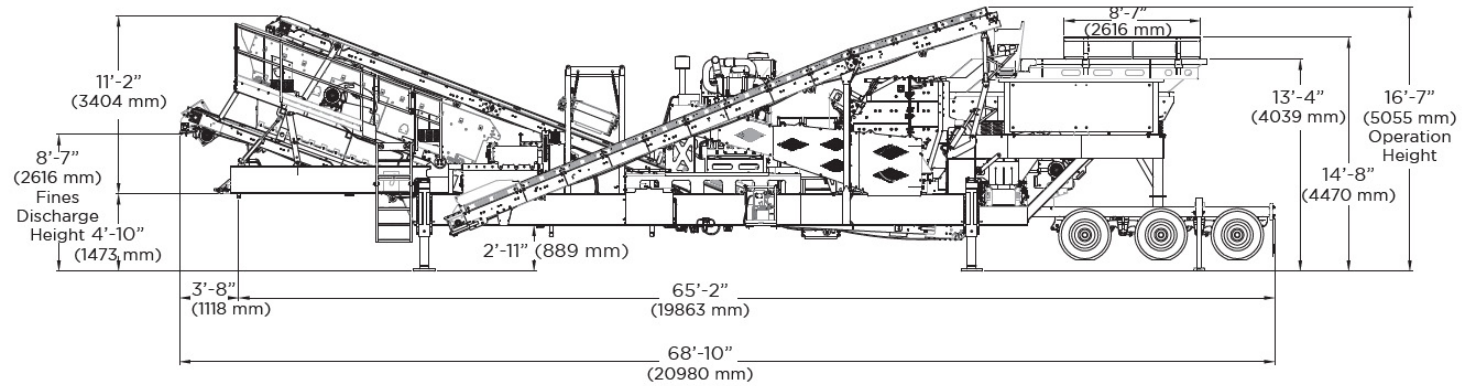


GLADIATOR TP320SR



DIMENSIONS

Figure 1: Gladiator TP320SR
Working Position



MORE DIMENSIONS OVERLEAF

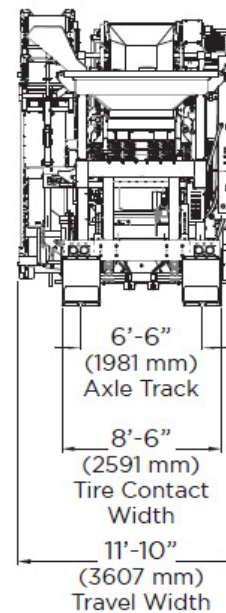
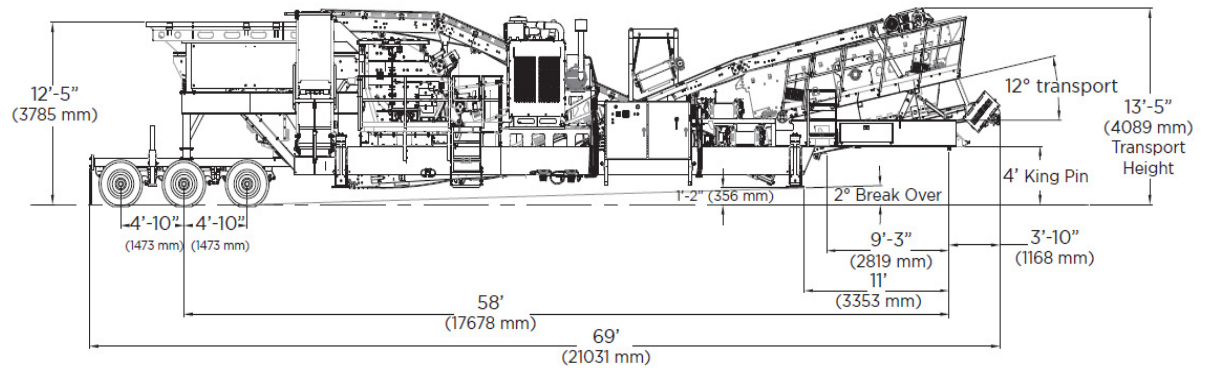


GLADIATOR TP320SR



DIMENSIONS

Figure 2: Gladiator TP320SR
Transport Position



MORE DIMENSIONS OVERLEAF



GLADIATOR TP320SR



↓ DIMENSIONS

Figure 3: Gladiator TP320SR 20' Feeder
Working Position

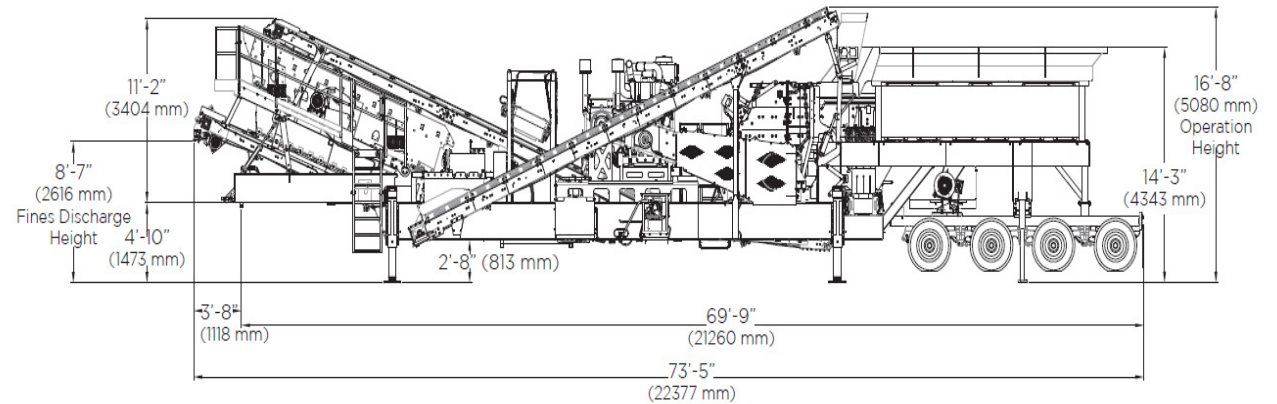
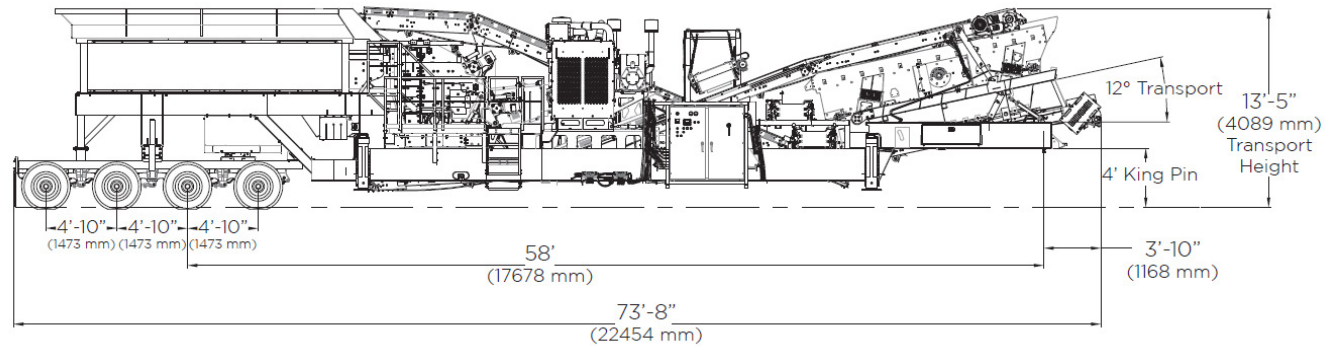


Figure 4: Gladiator TP320SR 20' Feeder
Transport Position





Please consult Powerscreen if you have any other specific requirements in respect of guarding, noise or vibration levels, dust emissions, or any other factors relevant to health and safety measures or environmental protection needs. On receipt of specific requests, we will endeavour to ascertain the need for additional equipment and, if appropriate, quote extra to contract prices.

All reasonable steps have been taken to ensure the accuracy of this publication, however due to a policy of continual product development we reserve the right to change specifications without notice.

It is the importers' responsibility to check that all equipment supplied complies with local legislation regulatory requirements.

Plant performance figures given in this brochure are for illustration purposes only and will vary depending upon various factors, including feed material gradings and characteristics. Information relating to capacity or performance contained within this publication is not intended to be, nor will be, legally binding.

GET IN TOUCH

Dungannon

200 Coalisland Road, Dungannon,
Co Tyrone, BT71 4DR, Northern Ireland
Tel: +44 (0) 28 87 718 500
Fax: +44 (0) 28 87 747 231

Louisville

11001 Electron Drive,
Louisville, Kentucky, 40299 USA
Tel: +1 502 736 5200
Fax: +1 502 736 5202

