

POWERSCREEN® GLADIATOR MT1300

PORTABLE ELECTRIC CONE CRUSHING UNIT



TECHNICAL SPECIFICATION - REV 1 01/01/2022





GLADIATOR MT1300



OVERVIEW

SPECIFICATION

Transport	Length	47' 5" (14.45m)
	Height	13' 6" (4.12m)
	Width	11' 11" (3.63m)
Working	Length	47' 5" (14.45m)
	Height	14' 7" (4.45m)
	Width	11' 11" (3.63m)

Plant Colour RAL 5021, RAL 7024

Total Weight: 86,000lbs (39,090kg)

Axle Load: 52,500lbs (23,863kg)

King Pin Load: 33,500lbs (15,227kg)

The new Gladiator MT1300 is an electrically driven, wheeled open circuit cone crusher. It features the tried and tested Terex TC1300 cone chamber and is mounted on wheels which ensures ease of movement and quick set up times.

The Gladiator MT1300 is fully electrically driven, which makes it an ideal solution in areas where strict environmental regulations are in place.

FEATURES & BENEFITS

- Output potential of up to 350 US tph / 386 tph - depending on material type and crusher settings.
- Incorporated ACE 6 crusher control.
- Made locally in the USA with the lowest weight possible for ease of movement.
- Service platforms around the crusher with an elevated observation platform.
- Electrically driven
- Accepts clean 'all in feed.
- Excellent product shape.
- High reduction ratio.
- Metal detector (optional).
- E-Stops on both sides of the unit.

APPLICATIONS



Aggregate
 Sand & gravel
 Blasted rock
 River rock



Recycling
 C&D waste
 Overburden
 Foundry waste



Mining
 Processed ores
 Processed minerals



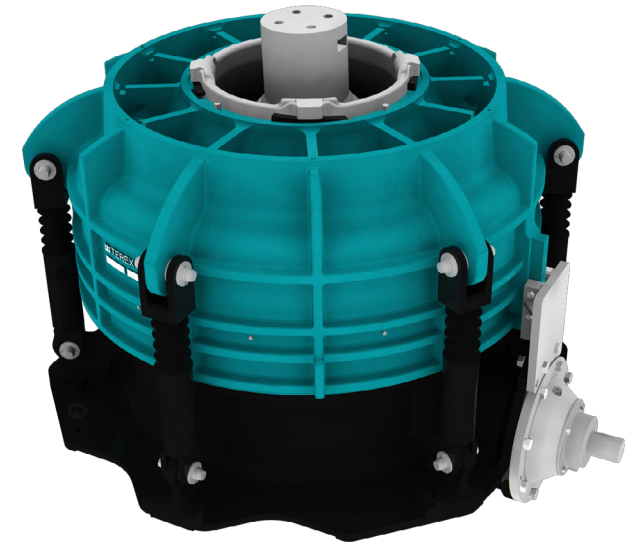
GLADIATOR MT1300



CONE CRUSHER

- Crusher type:** 1300 Automax Crusher
- Liners:** Manganese steel alloy mantle & concave
- Standard concave:** Medium Coarse (MC)
- Lubrication:** Pumped system having a chassis mounted lube tank with air blast cooler
- Adjustment:** Hydraulic setting adjustment, automatic overload release & hydraulic unblocking
- Control:** 2 Operating modes available:
 - Autoset Mode: fixed parameters
 - Maxset Mode: load sensing, parameters auto adjust & maximise performance
- Concave option:** Autosand (AS)
- Drive:** 300hp (223kW) WEG electric motor @1800rpm
- Mount:** Crusher is mounted on a live frame with 6 x isolators

LINER PROFILE	MAXIMUM FEED SIZE	MAXIMUM RECOMMENDED CSS
Medium Coarse	220mm (8.5")	45mm (1.8")
Autosand	63mm (2.5")	30mm (1.2")





GLADIATOR MT1300



↓ HOPPERS

CONE HOPPER

Manufactured from 1/4" (6mm) mild steel
Bolt on adjustable overflow gate which discharges to under crusher conveyor.
Hopper shape allows optimum crusher feed from multiple angles.

UNDER CRUSHER HOPPER

Manufactured from 3/8" (10mm) hardox
Rock ledge with 3/8" (10mm) AR400 steel liners.
Rubber flashing





GLADIATOR MT1300



DISCHARGE CONVEYOR

- Belt Width:** 42" (1060mm)
 - Drum Centes:** 30' 6" (9296mm)
 - Belt Type:** Plain
 - Belt Spec:** 3 Ply 330 PIW
 - Max Speed:** 350 ff/min (107 m/min)
 - Discharge Height:** 8' 10" (2.69m)
 - Stockpile Capacity:** 38 yd³ (29m³)
 - Motor:** 15hp (11kW) @1800rpm
- Fixed angle
Flexco TM scraper





GLADIATOR MT1300



BOGIE

Type:	Heavy duty sprung triple axle
Size:	12 of 11R X 22.5 radial tyres
No of Axles:	3
No of Studs:	10
Brakes:	Air





GLADIATOR MT1300



OTHER

EXTERNAL POWER REQUIREMENTS

460V
3 Phase
60 Hz

	Power
Cone	300hp (223kW)
Discharge Conveyor	15hp (11kW)
Optional Metal Detector	2hp (1.5kW)
Total Power Required	317hp (235.5kW)

TOOLBOX

1x: 60" (1520mm) long
Lockable lid
LHS of plant
1x: 48" (1220mm) long
Lockable lid
RHS of plant

PLATFORMS

Folding access ladder
Blue water gate
Stairs both sides to access upper deck

METAL DETECTOR

Metal detector - Eriez 1220
Required to validate cone warranty
Must be fitted to the feed conveyor by the customer
Comes complete with a storage toolbox



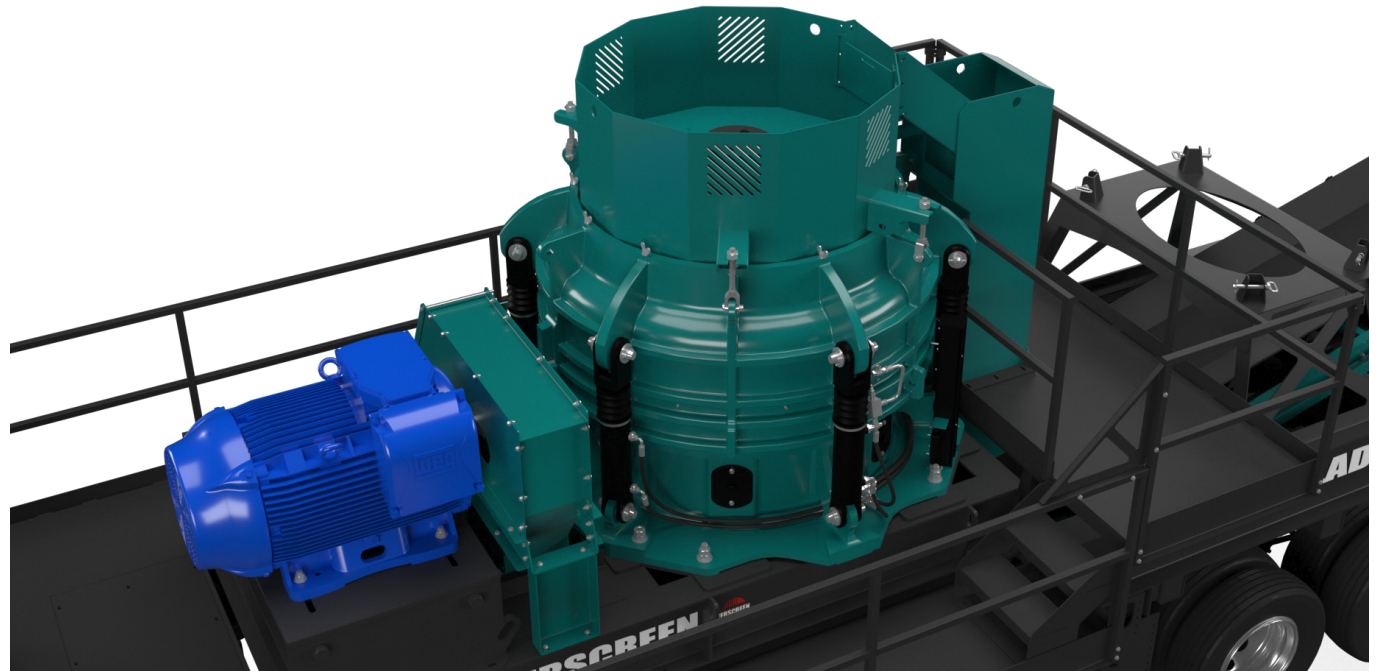


GLADIATOR MT1300



↓ OPTIONS

- Manual button switchgear panel - 300hp soft starter and 15hp conveyor starter, 2 extra starters for off plant conveyors. No lead cord included (see below).
- Deluxe switchgear panel - as above to include quick release plug and external interlocking.
- 100ft lead cord - to connect panel to power source.
- 4 no of 6" x 16" hydraulic levelling jacks with 13hp Honda powerunit.
- 4 no of 6" x 24" hydraulic run on jacks with 13hp Honda power unit.
- 2 no of additional crank jacks.
- 350hp crusher drive motor.



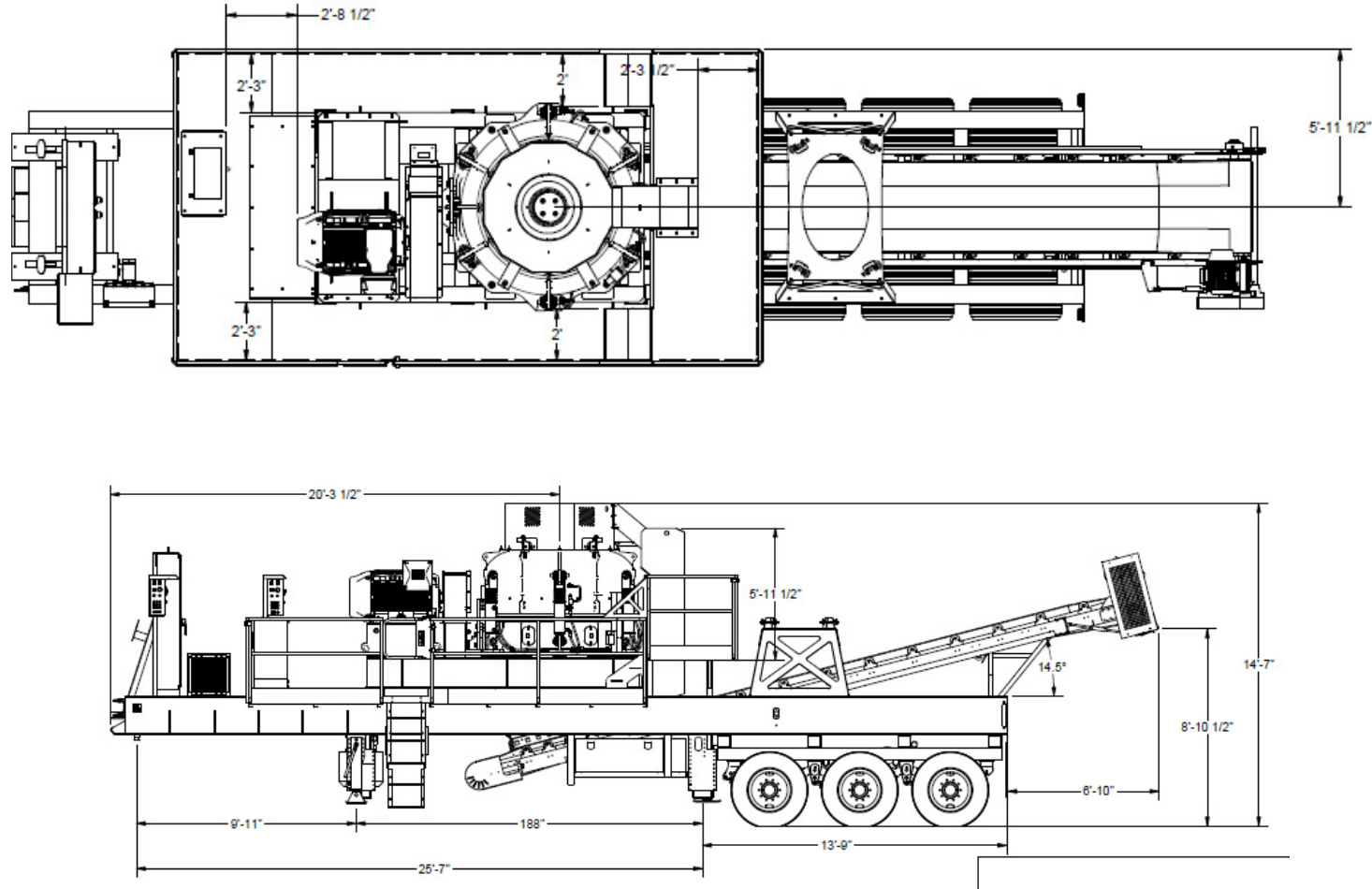


GLADIATOR MT1300



DIMENSIONS

Figure 1: Gladiator MT1300
Working Position



- Total Weight:** 86,000lbs (39,090kg)
- Axle Load:** 52,500lbs (23,863kg)
- King Pin Load:** 33,500lbs (15,227kg)

[MORE DIMENSIONS OVERLEAF](#)

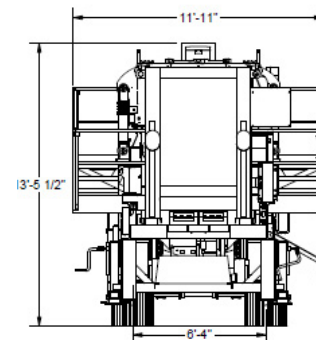
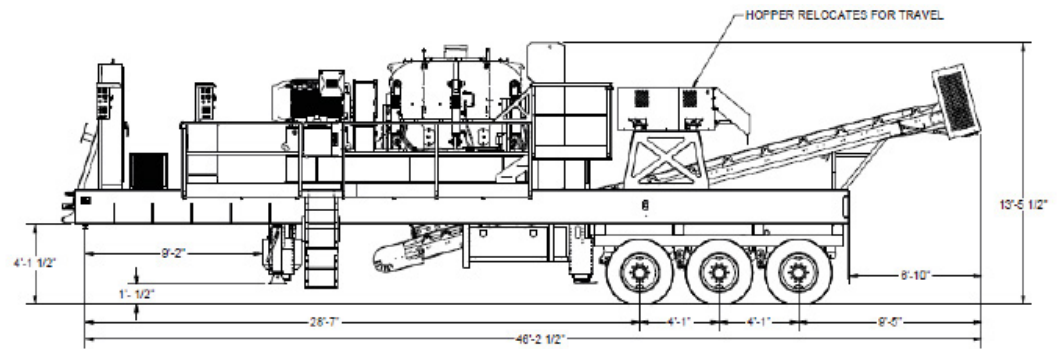
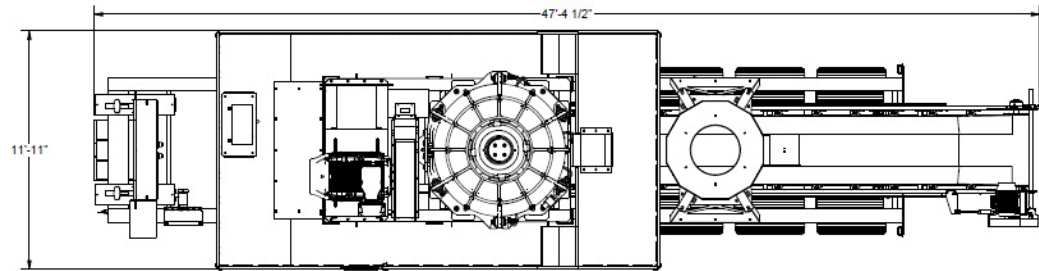


GLADIATOR MT1300



DIMENSIONS

Figure 2: Gladiator MT1300
Transport Position



Total Weight: 86,000lbs (39,090kg)
Axle Load: 52,500lbs (23,863kg)
King Pin Load: 33,500lbs (15,227kg)



Please consult Powerscreen if you have any other specific requirements in respect of guarding, noise or vibration levels, dust emissions, or any other factors relevant to health and safety measures or environmental protection needs. On receipt of specific requests, we will endeavour to ascertain the need for additional equipment and, if appropriate, quote extra to contract prices.

All reasonable steps have been taken to ensure the accuracy of this publication, however due to a policy of continual product development we reserve the right to change specifications without notice.

It is the importers' responsibility to check that all equipment supplied complies with local legislation regulatory requirements.

Plant performance figures given in this brochure are for illustration purposes only and will vary depending upon various factors, including feed material gradings and characteristics. Information relating to capacity or performance contained within this publication is not intended to be, nor will be, legally binding.

GET IN TOUCH

Dungannon

200 Coalisland Road, Dungannon,
Co Tyrone, BT71 4DR, Northern Ireland
Tel: +44 (0) 28 87 718 500
Fax: +44 (0) 28 87 747 231

Louisville

11001 Electron Drive,
Louisville, Kentucky, 40299 USA
Tel: +1 502 736 5200
Fax: +1 502 736 5202

