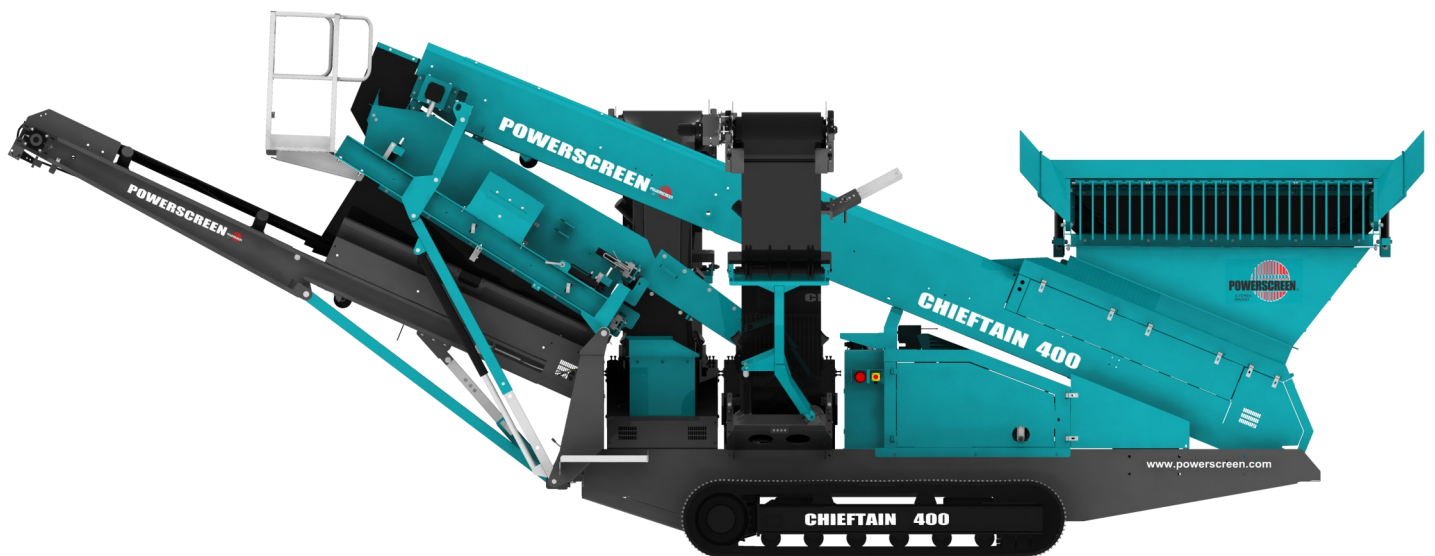


# Powerscreen<sup>®</sup> Chieftain 400

## 2 Deck Incline Screen

Specification - Rev 10. 01/01/2017

---



**POWERSCREEN**  
CELEBRATING 50 YEARS  
OF POWER 2016

50



# Powerscreen® Chieftain 400

Specification - Rev 10. 01/01/2017

## Specification

	<b>Hopper (with grid) wheel</b>	<b>Hopper (with grid) track</b>
<b>Total weight</b>	11,280kg (24,868 lbs)*	13,020kg (28,704 lbs)*
<b>Transport</b>		
<b>Length</b>	10.35m (34')	10.3m (33' 10")
<b>Width</b>	2.75m (9')	2.63m (8' 8")
<b>Height</b>	3.84m (12' 7")	3.4m (11' 2")
<b>Working</b>		
<b>Length</b>	11.9m (39' 1")	11.85m (38' 11")
<b>Width</b>	11.3m (37')	11.3m (37')
<b>Height</b>	4.9m (16' 2")	4.5m (14' 9")
<b>Screenunit</b>	2.44m x 1.22m (8' x 4')	2.44m x 1.22m (8' x 4')
<b>Power unit</b>	Diesel / Hydraulic	Diesel / Hydraulic
<b>Plant Colour</b>	RAL 5021	RAL 5021

## Features & Benefits

- High capacity up to 200 tph (depending on feed size, mesh size & material type)
- Maximum feed size 150mm
- Engine protection shutdown system
- Powerunit featuring a longitudinal engine arrangement to aid access & serviceability
- Heavy duty single shaft incline screenbox with adjustable angle
- Hydraulic screen tensioning (optional)
- Screen mesh access system for quicker mesh changes
- Maximum mobility with heavy duty, low ground pressure crawler tracks
- Removable heavy duty pendant remote control system
- Quick set up time
- High performance hydraulic system - cast iron pumps & motors complete with hydraulic cooler
- Low profile double deck vibrating grid option with radio remote control tipping grid rams, angle adjustable & fully riveted construction
- Hydraulically folding conveyors for transport

## Applications

### Aggregate

- Sand & gravel
- Blasted rock
- River rock

### Recycling

- Top soil
- C&D waste
- Composted materials
- Wood by-products
- Overburden
- Foundry waste

### Mining

- Processed ores
- Processed minerals

### Abbreviations:

**T=Track, W=Wheel, Std= Standard, Hyd= Hydraulic, W/O= Without, C/W= Complete with  
EXT= Extended, DDVG= Double deck vibrating grid, Inc= Including, Aux= Auxillary,  
Conv= Conveyor, \*= depending on machine specification**

POWERSCREEN  
CELEBRATING 50 YEARS  
OF POWER 2016



All specifications subject to change without prior notice



# Powerscreen® Chieftain 400

Specification - Rev 10. 01/01/2017

## Hopper & Grid

Target area: 3.9m (12' 9") long x 1.75m (5' 8") wide  
Grid opening: 2.95m (9' 8") x 1.46m (4' 9")

Grid aperture: 102mm (4")

Hopper capacity: 4.0m<sup>3</sup> (5.2 cu. yd.)  
Hopper capacity direct feed: 3.2m<sup>3</sup> (4.2 cu. yd.)

Adjustable angle tipping grid with integral loading and wing plates

Feed in height: 3.5m (11' 5") with grid (Track)  
Feed in height: 2.82m (9' 3") with out grid (Track)

## Feed / Main Conveyor

800mm (32") 3 ply plain belt  
7.2m (23' 7") drum centres  
286mm (11") drum diameter (drive)  
270mm (10") drum diameter (tail)

Fully skirted & sealed  
Twin motor direct drive  
Variable speed control

## Screenbox

2.44m x 1.22m (8' x 4') 2 deck incline screen  
1 x 8ft x 4ft screen panel per deck  
Grease filled 4 bearing screenbox

End tensioned decks  
Hydraulic screen angle adjustment: 25° - 35°  
Hydraulic screen tensioning (optional)  
Galvanised maintenance platform at rear  
Speed: 1140rpm (standard)  
Throw: 6mm (standard)



POWERSCREEN  
CELEBRATING 50 YEARS  
OF POWER 2016

50

All specifications subject to change without prior notice



# Powerscreen® Chieftain 400

Specification - Rev 10. 01/01/2017

## Finesize - Tail Conveyor

1050mm (42") wide 2 ply plain belt  
4.8m (15' 9") drum centres  
216mm (9") drum diameter (drive)  
200mm (8") drum diameter (tail)

3.35m (10' 11") stockpile height (to drum centre) T  
56m<sup>3</sup> (73 cu. yd.) stockpile volume

3.54m (11' 7") stockpile height (to drum centre) W  
66m<sup>3</sup> (86 cu. yd.) stockpile volume

Hydraulically folding for transport only  
Chevron belt as option

Fixed speed

Fixed angle: 24°



## Midsize & Oversize - Side Conveyors

650mm (26") wide 3 ply chevron belt  
6.40m (21') drum centres  
236mm (9") drum diameter (drive)  
200mm (8") drum diameter (tail)

3.44m (11' 3") stockpile height (to drum centre) T  
61m<sup>3</sup> (80 cu. yd.) stockpile volume

3.64m (11' 11") stockpile height (to drum centre) W  
72m<sup>3</sup> (94 cu. yd.) stockpile volume

Variable speed control on each conveyor

Hydraulic folding

Fixed angle: 24°



POWERSCREEN  
CELEBRATING 50 YEARS  
OF POWER 2016

50

All specifications subject to change without prior notice



# Powerscreen® Chieftain 400

Specification - Rev 10. 01/01/2017

## Power unit & Hydraulics

### Engine:

Deutz TD 2011 L04i (Tier 4i / Stage 3a) 4 cylinder diesel

### Performance:

49.4 kW (66.2hp) @ 2300rpm

### Engine (Tier 4F):

CATERPILLAR C3.4 55 kW (73.7hp) @ 2300rpm

### Tank Capacities:

Fuel: 145 L (37.7 US Gal)

Hydraulic Oil: 500 L (130 US Gal)

### Pumps:

Flywheel pump: Cast iron tandem pump 27cc/rev

### Motors:

Main conveyor: Cast iron 500cc/rev twin drive

Tail conveyor: Cast iron 400cc/rev

Side conveyors: Cast iron 315cc/rev

Screen: Cast iron 51.8cc/rev



## Crawler Track Data

Track width: 500mm

Output torque: 13,149 Nm

Gradability degrees: 23.1°

Gearbox ratio: 1:102.6

Hydraulic motor: 45cc/rev

Approximate speed: 1.2kph (0.75mph)



## Powerscreen Pulse

Powerscreen Pulse is a system which allows the machine to relay data via phone networks, or by satellite when there's no cellular signal, to any device with a web browser, such as a PC, tablet or Smartphone.

Please contact the factory for further information.



POWERSCREEN  
CELEBRATING 50 YEARS  
OF POWER 2016

50

All specifications subject to change without prior notice

POWERSCREEN®  
A TEREX  
BRAND

# Powerscreen® Chieftain 400

Specification - Rev 10. 01/01/2017

## Road Transport (wheeled version)

- **Wheels:** 235/R17.5 dual wheels
- **Axle:** Single Approved braking axle
- **Suspension:** Leaf springs
- **Brakes:** Air brakes, (ABS optional)
- **Mudguards:** Plastic type

## Other Options

- **Lights:** Optional extra
- **Different coloured machine**
- **Extra coupling facility**
- **Grid Aperture: 152mm (6")**
- **Powerscreen Pulse**

**POWERSCREEN**  
CELEBRATING 50 YEARS  
OF POWER 2016

50

All specifications subject to change without prior notice



# Powerscreen® Chieftain 400

Specification - Rev 10. 01/01/2017

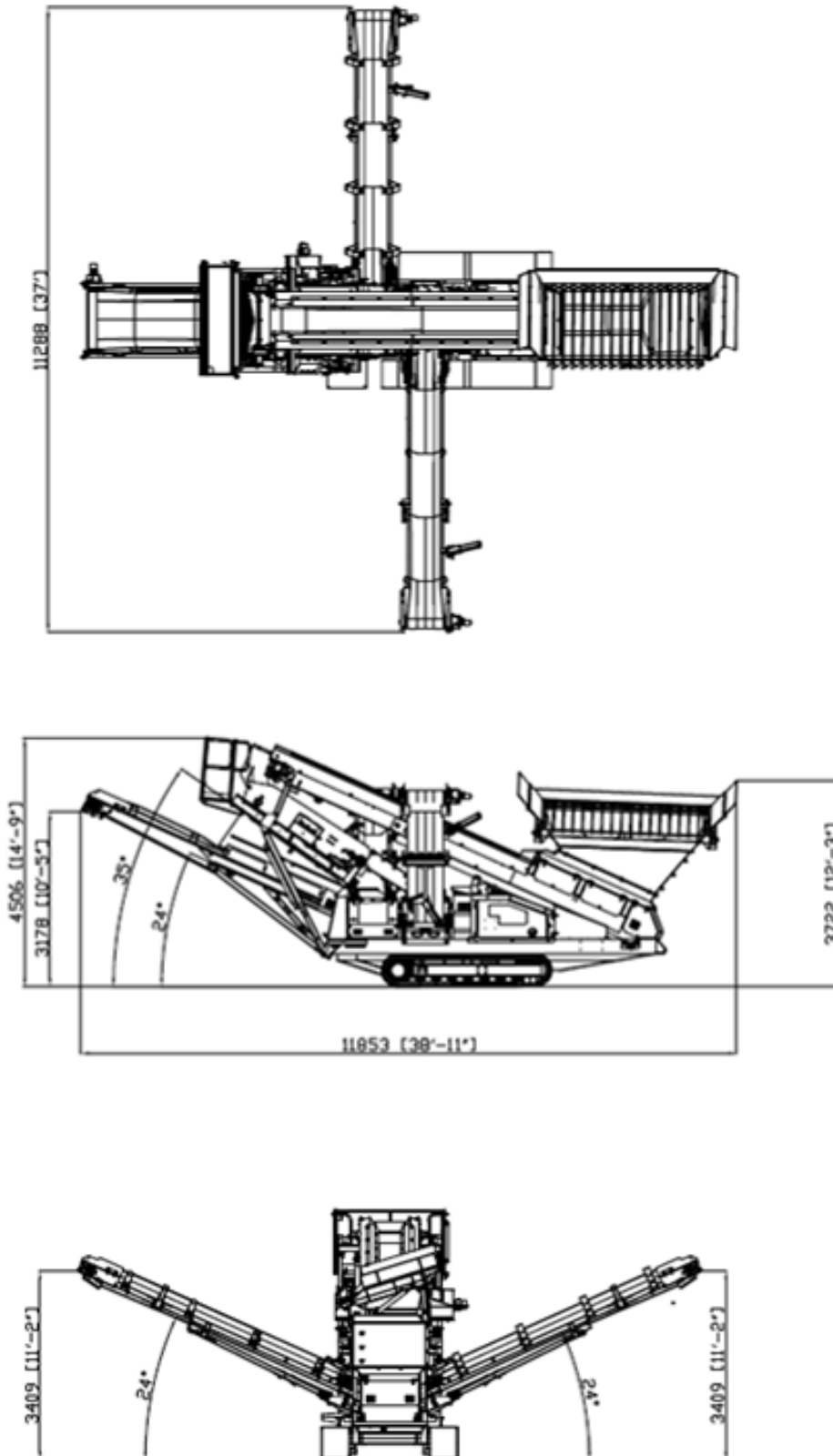


Figure 1: Chieftain 400 2 Deck Track Working Position

POWERSCREEN  
CELEBRATING 50 YEARS  
OF POWER 2016



All specifications subject to change without prior notice



# Powerscreen® Chieftain 400

Specification - Rev 10. 01/01/2017

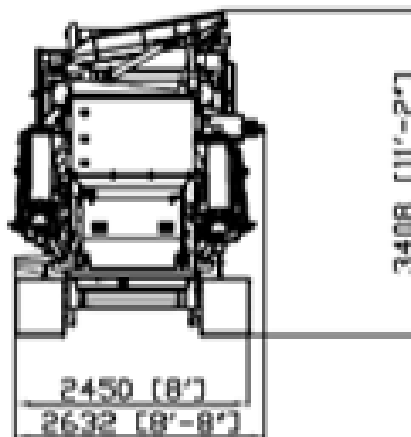
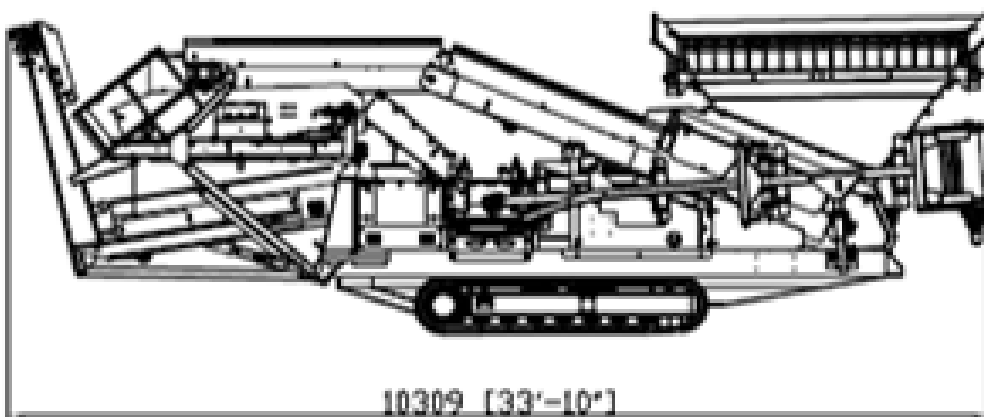
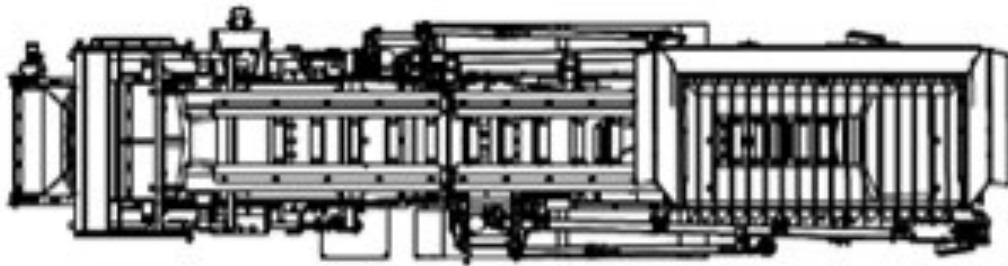


Figure 2: Chieftain 400 2 Deck Track Transport Position

POWERSCREEN  
CELEBRATING 50 YEARS  
OF POWER 2016



All specifications subject to change without prior notice





# Powerscreen® Chieftain 400

Specification - Rev 10. 01/01/2017

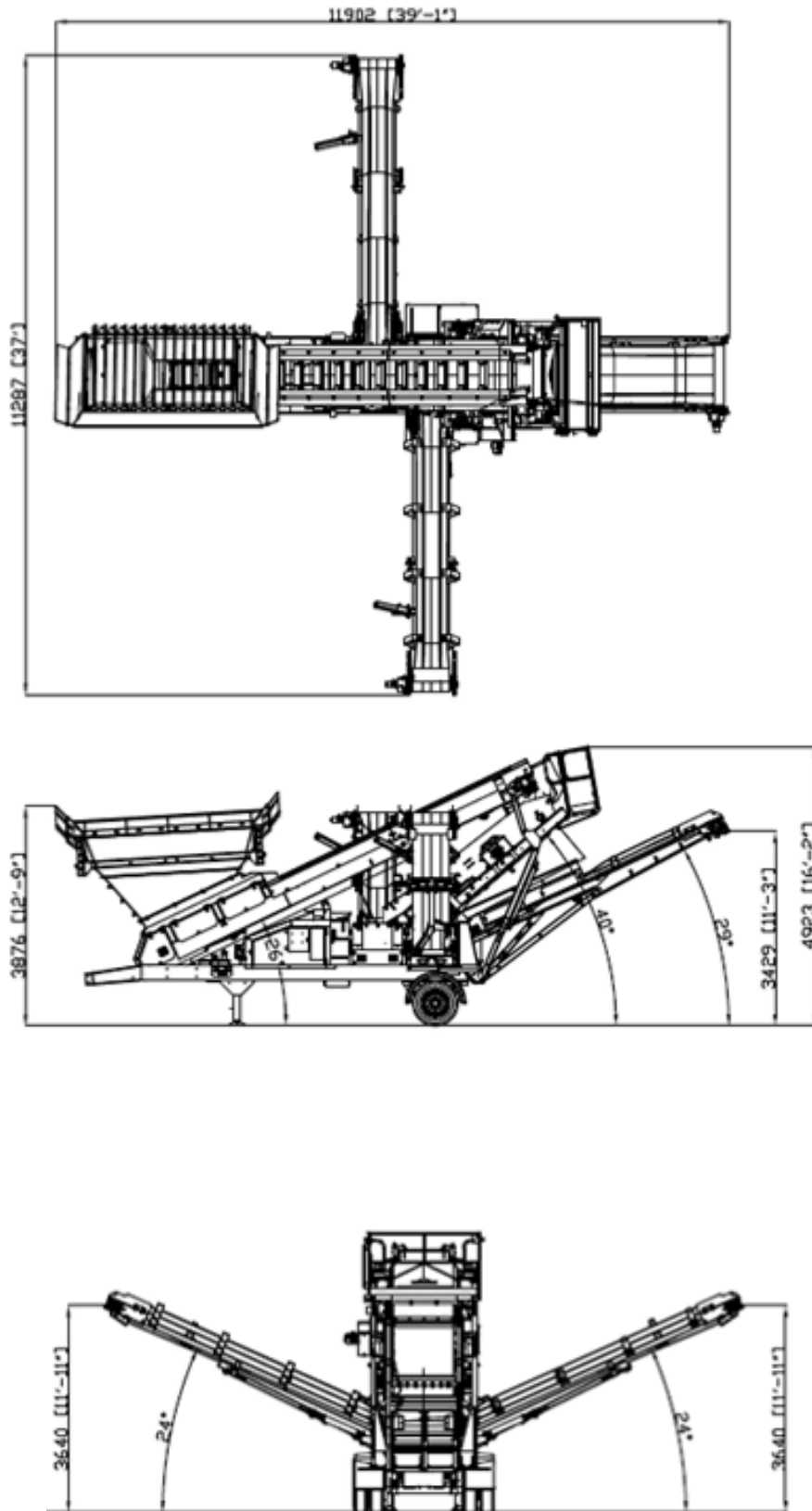


Figure 3: Chieftain 400 2 Deck Wheel Working Position

POWERSCREEN  
CELEBRATING 50 YEARS  
OF POWER 2016



All specifications subject to change without prior notice



# Powerscreen® Chieftain 400

Specification - Rev 10. 01/01/2017

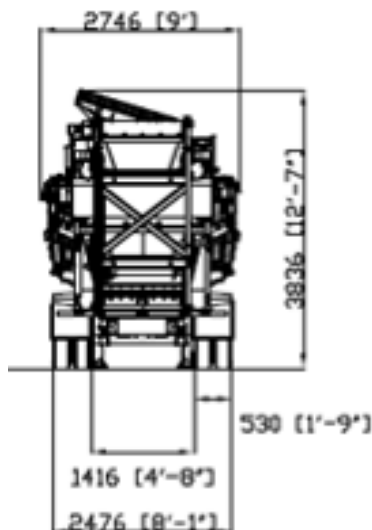
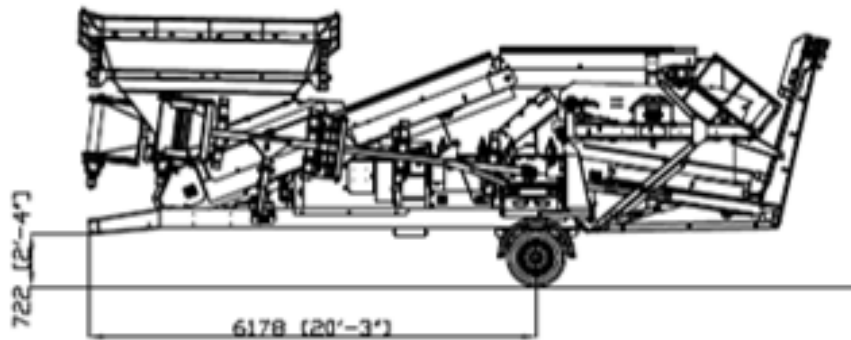
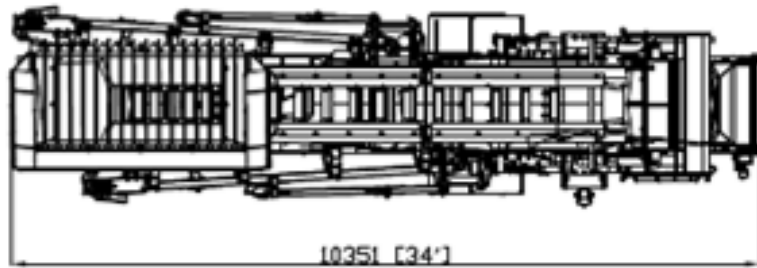


Figure 4: Chieftain 400 2 Deck Wheel Transport Position

POWERSCREEN  
CELEBRATING 50 YEARS  
OF POWER 2016



All specifications subject to change without prior notice



# Powerscreen® Chieftain 400

Specification - Rev 10. 01/01/2017

## **Powerscreen equipment complies with CE requirements.**

Please consult Powerscreen if you have any other specific requirements in respect of guarding, noise or vibration levels, dust emissions, or any other factors relevant to health and safety measures or environmental protection needs. On receipt of specific requests, we will endeavour to ascertain the need for additional equipment and, if appropriate, quote extra to contract prices.

All reasonable steps have been taken to ensure the accuracy of this publication, however due to a policy of continual product development we reserve the right to change specifications without notice.

It is the importers' responsibility to check that all equipment supplied complies with local legislation regulatory requirements.

Plant performance figures given in this brochure are for illustration purposes only and will vary depending upon various factors, including feed material gradings and characteristics. Information relating to capacity or performance contained within this publication is not intended to be, nor will be, legally binding.

Terex GB Ltd.  
200 Coalisland Road  
Dungannon  
Co. Tyrone  
Northern Ireland  
BT71 4DR

Tel: +44(0) 28 8774 0701  
Fax: +44(0) 28 8774 6569

E-Mail: [sales@powerscreen.com](mailto:sales@powerscreen.com)  
Web: [www.powerscreen.com](http://www.powerscreen.com)

Terex is a registered trademark of Terex Corporation in the United States of America and many other countries.  
Powerscreen is a registered trademark of Terex GB Ltd in the United States of America and many other countries.

Copyright Terex Corporation 2017

**POWERSCREEN**  
CELEBRATING 50 YEARS  
OF POWER 2016



All specifications subject to change without prior notice

