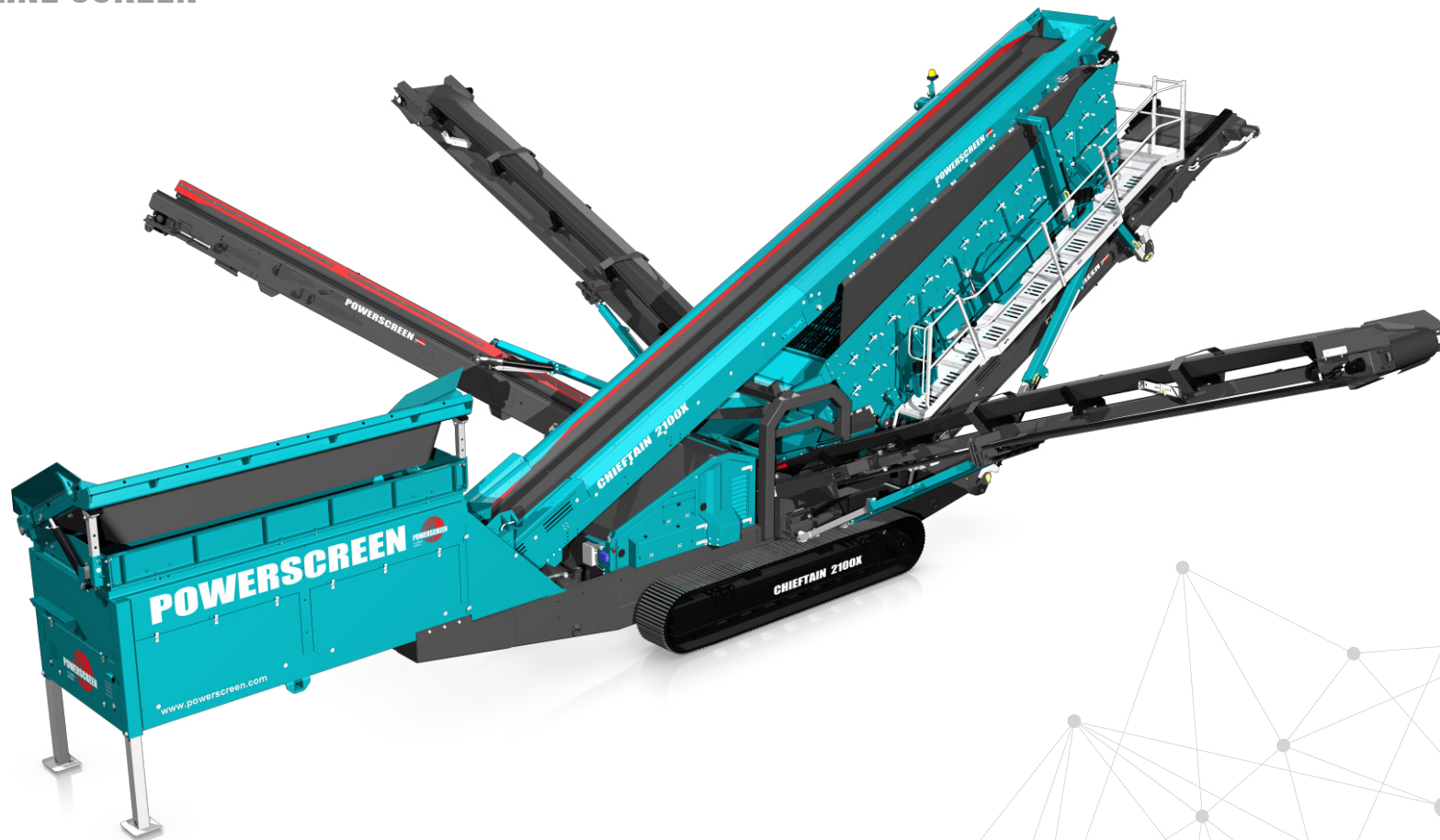


POWERSCREEN® CHIEFTAIN 2100X

3 DECK INCLINE SCREEN



TECHNICAL SPECIFICATION - REV 11. 01/01/2019





CHIEFTAIN 2100X 3 DECK



OVERVIEW

SPECIFICATION

	14ft Hopper (with grid) track	14ft Hopper (with with double deck vibrating grid) track
Total weight	37,400kg (82,453lbs)	41,150kg (90,720lbs)
Transport	Length 18.7m (61' 4")	18.55m (61')
	Width 3m (9' 10")	3m (9' 10")
	Height 3.55m (11' 8")	3.6m (11' 10")
Working	Length 19.17m (62' 11")	19.03m (62' 5")
	Width 18.25m (59' 11")	18.25m (59' 11")
	Height 6.72m (22' 1")	6.72m (22' 1")
(screenbox at 30°)		
Screenbox	6.1m x 1.55m (20' x 5')	6.1m x 1.55m (20' x 5')
Power Unit	Diesel / Hydraulic	Diesel / Hydraulic
Plant Colour	RAL 5021, RAL 7024 & RAL 9005	RAL 5021, RAL 7024 & RAL 9005

(Weights & dimensions are approximate base unit values)

FEATURES & BENEFITS

- High capacity up to 600 tph / 661 US tph (depending on media sizes & material type)
- Maximum feed size 150mm (6")
- Engine protection shutdown system
- Power unit featuring a transverse engine arrangement to aid access & serviceability
- Heavy duty single shaft incline screenbox with adjustable stroke, angle & speed
- Hydraulic screen tensioning
- Screen mesh access system for quicker mesh changes
- Maximum mobility with heavy duty, low ground pressure tracks
- Removable heavy duty pendant remote control system
- Quick set up time
- High performance hydraulic system - cast iron pumps & motors complete with hydraulic cooler
- Low profile double deck vibrating grid option with radio remote control tipping grid, angle adjustable and fully riveted construction
- Hydraulically folding conveyors for transport
- Fines conveyor drop down facility to aid bottom deck mesh access

APPLICATIONS



Aggregate
Sand & gravel
Blasted rock
River rock



Recycling
Top soil
C&D waste
Composted materials
Wood by-products
Overburden
Foundry waste



Mining
Processed ores
Processed minerals



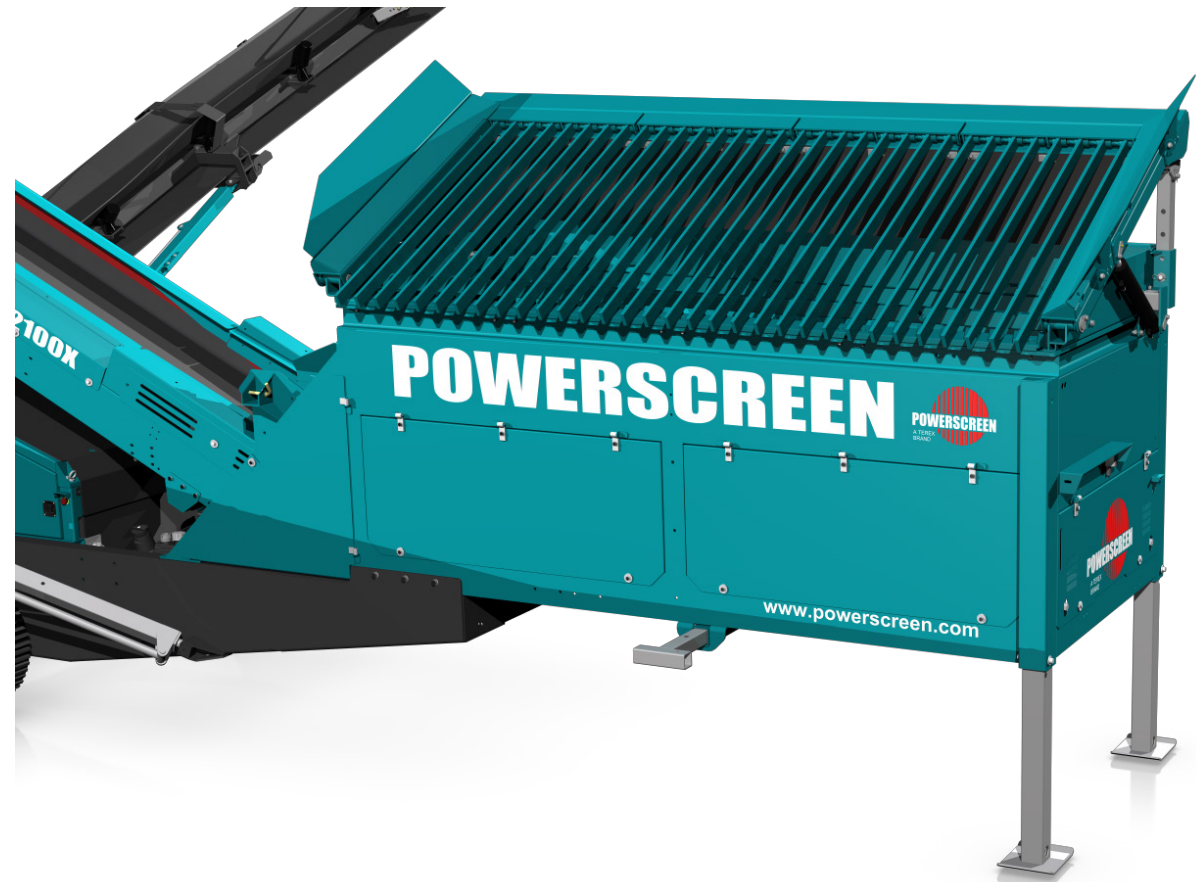
CHIEFTAIN 2100X 3 DECK



↓ HOPPER & GRID

Target area: 4.75m (15' 7") long x 2.15m (7' 1") wide
Grid aperture: 108mm (4.3")

Hopper capacity: 7m³ (9.15 cu. yd.)
Adjustable angle tipping grid with integral loading & wing plates
Feed in height with grid: 3.7m (12' 2") (rear)
Feed in height without grid: 2.65m (8' 8") (rear)





CHIEFTAIN 2100X 3 DECK



↓ SCREENBOX

6.1m x 1.55m (20' x 5') 3 deck incline screen
Highly aggressive screen drive
Oil filled 2 bearing screenbox

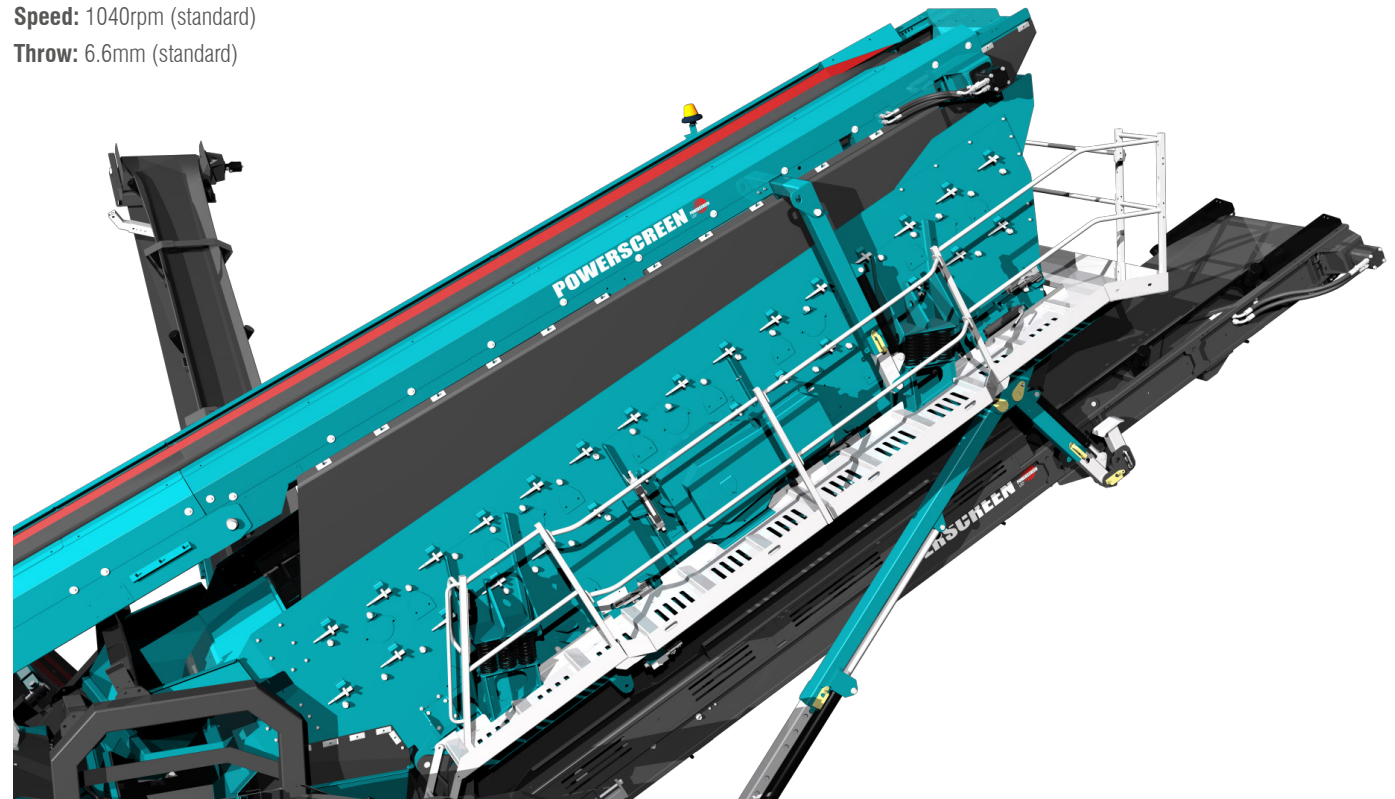
6.1m x 1.55m (20' x 5') top & middle deck
5.55m x 1.52m (18' x 5') bottom deck

5 of media sections (side tension) top deck
5 of media sections (side tension) middle deck
3 of media sections (end tension) bottom deck

Hydraulic screen angle adjustment 20° - 30°
Hydraulic screen tensioning on bottom deck
Galvanised walkways on 3 sides of the screenbox

Speed: 1040rpm (standard)

Throw: 6.6mm (standard)





CHIEFTAIN 2100X 3 DECK



↓ CONVEYORS

FEED CONVEYOR

1200mm (3' 11") wide feed conveyor with direct drive system & hydraulic variable speed control

4.11m (13' 6") drum centres

350mm (13.7") drum diameter (drive)

320mm (12.6") drum diameter (tail)

MAIN CONVEYOR

1050mm (3' 5") 3 ply plain belt

12.09m (39' 8") drum centres

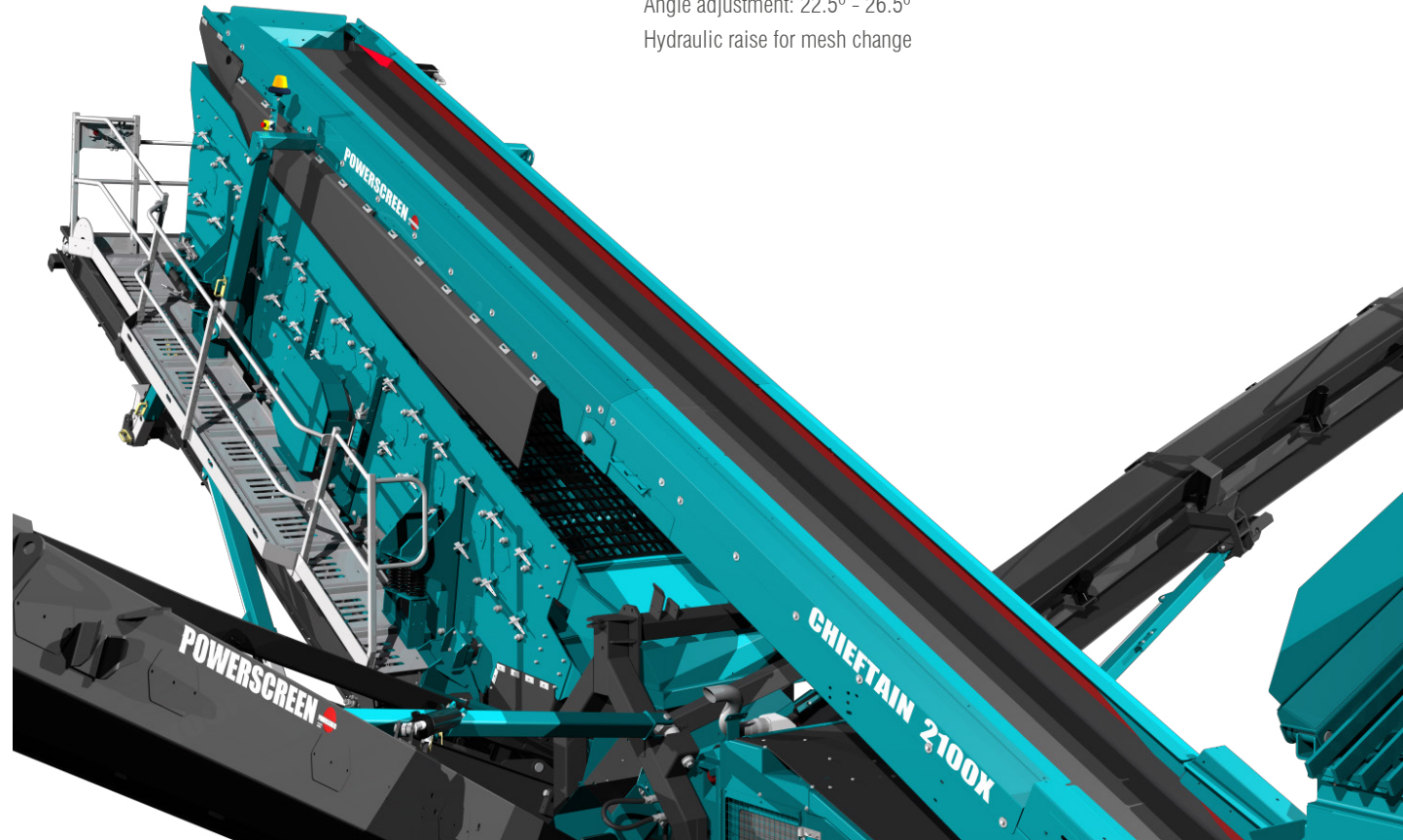
286mm (11.3") drum diameter (drive)

270mm (10.6") drum diameter (tail)

Hydraulically adjustable conveyor, fully skirted & sealed

Angle adjustment: 22.5° - 26.5°

Hydraulic raise for mesh change





CHIEFTAIN 2100X 3 DECK



↓ CONVEYORS

FINESIZE - TAIL CONVEYOR

1200mm (3' 11") wide 3 ply plain belt

8.16m (26' 9") drum centres

286mm (11.3") drum diameter (drive)

270mm (10.6") drum diameter (tail)

4.41m (14' 6") stockpile height

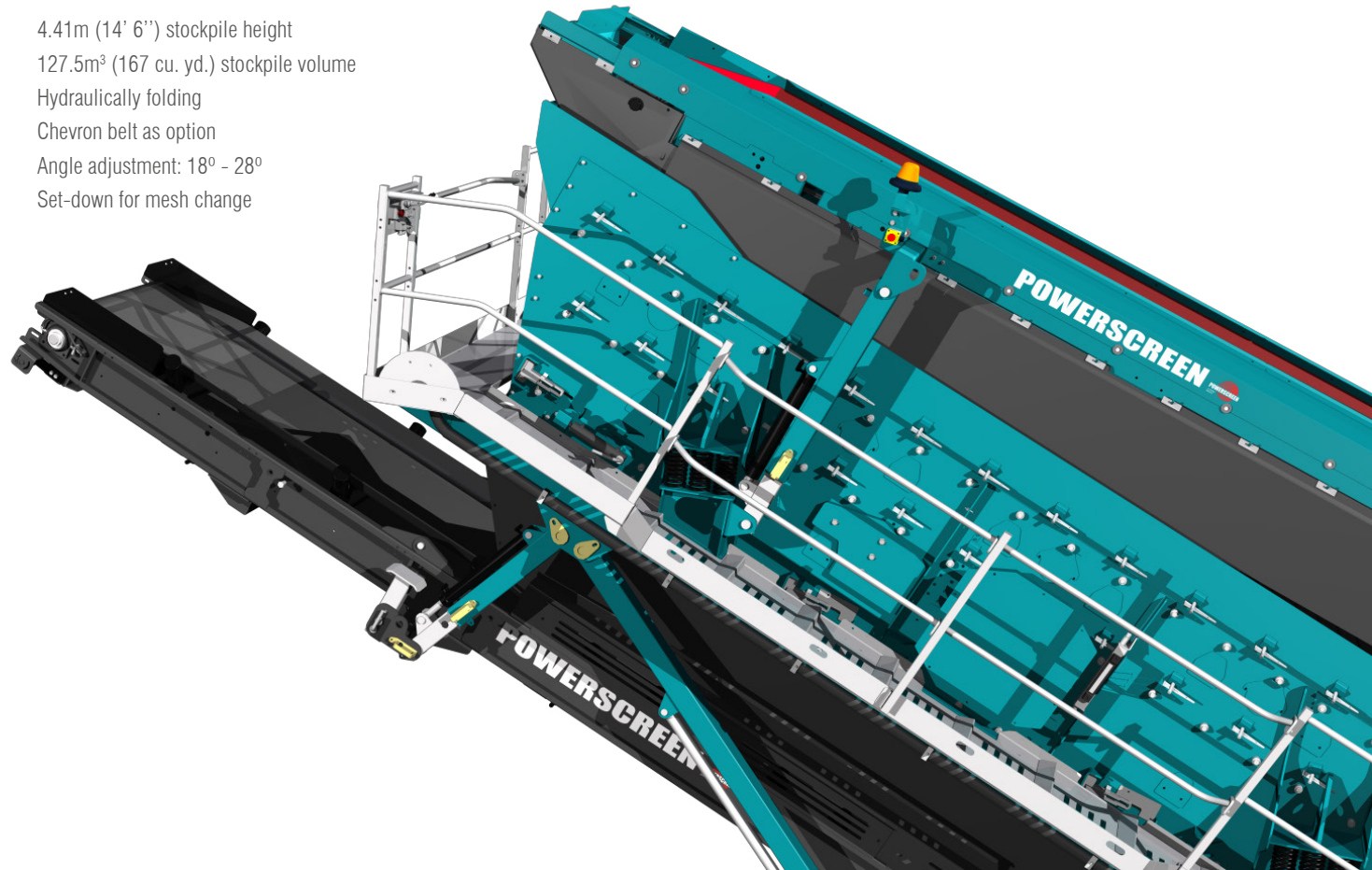
127.5m³ (167 cu. yd.) stockpile volume

Hydraulically folding

Chevron belt as option

Angle adjustment: 18° - 28°

Set-down for mesh change





CHIEFTAIN 2100X 3 DECK



↓ CONVEYORS

MID-FINESIZE & MID-OVERSIZING - SIDE CONVEYORS

800mm (2' 7") wide 3 ply chevron belt

10.18m (33' 5") drum centres

286mm (11.3") drum diameter (drive)

270mm (10.6") drum diameter (tail)

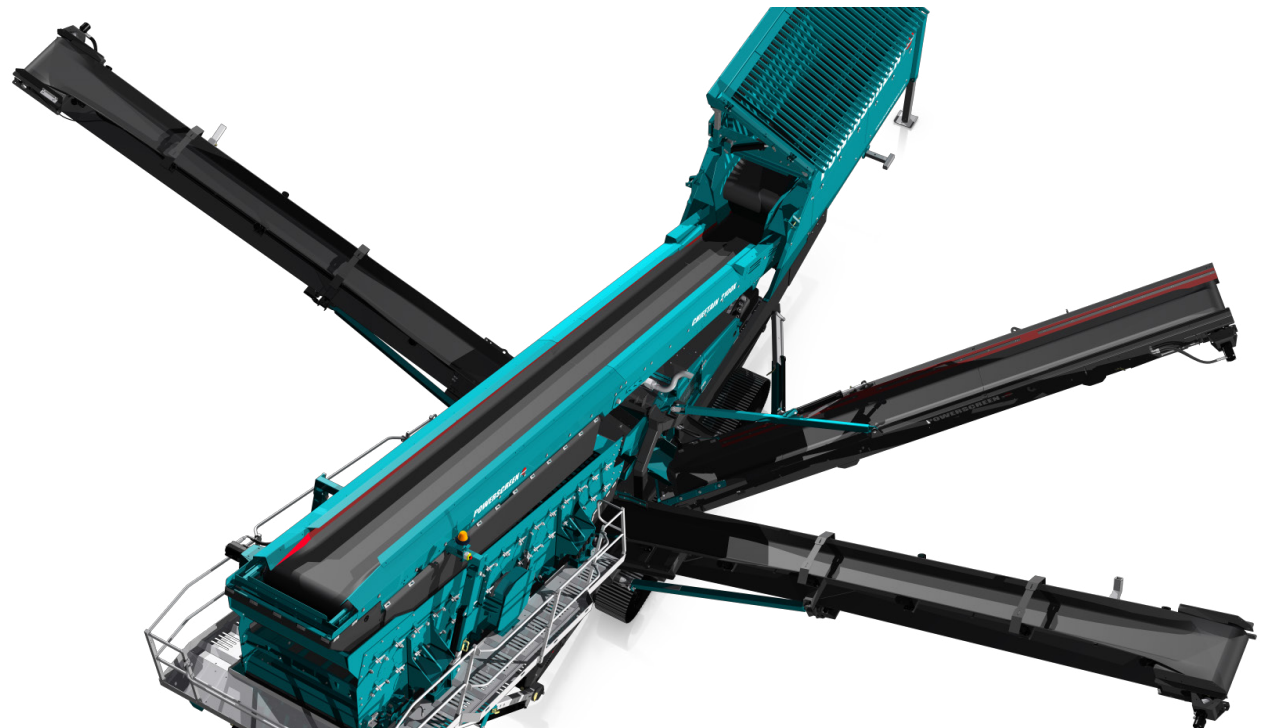
4.97m (16' 4") stockpile height

183m³ (239 cu. yd.) stockpile volume

Individual variable speed control

Hydraulically folding

Fixed angle: 24°





CHIEFTAIN 2100X 3 DECK



↓ CONVEYORS

OVERSIZE - AUXILIARY CONVEYOR (STANDARD)

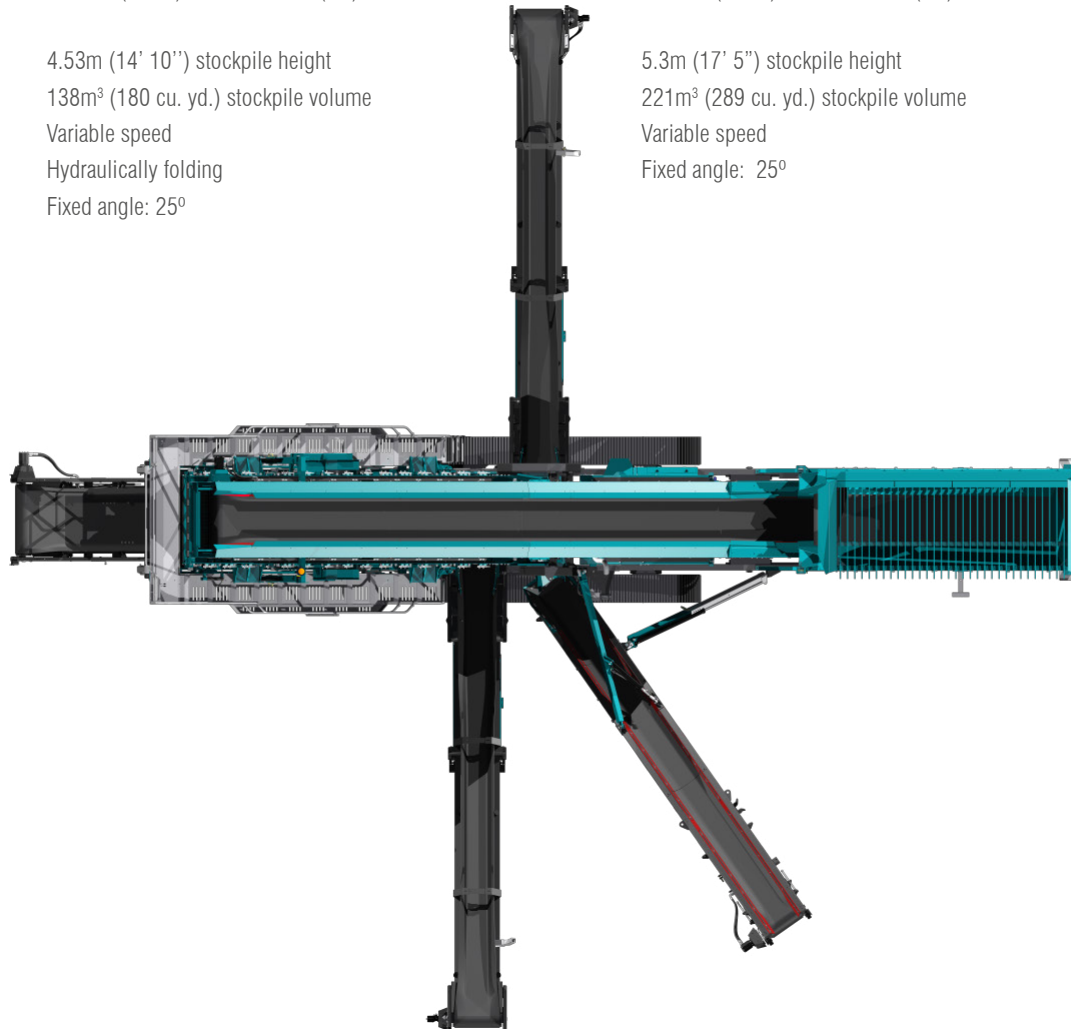
650mm (2' 2") wide 3 ply chevron belt
7.83m (25' 8") drum centres (standard length)
286mm (11.3") drum diameter (drive)
270mm (10.6") drum diameter (tail)

4.53m (14' 10") stockpile height
138m³ (180 cu. yd.) stockpile volume
Variable speed
Hydraulically folding
Fixed angle: 25°

OVERSIZE - AUXILIARY CONVEYOR (EXTENDED)

650mm (2' 2") wide 3 ply chevron belt
10.26m (33' 8") drum centres (extended length)
286mm (11.3") drum diameter (drive)
270mm (10.6") drum diameter (tail)

5.3m (17' 5") stockpile height
221m³ (289 cu. yd.) stockpile volume
Variable speed
Fixed angle: 25°





CHIEFTAIN 2100X 3 DECK



↓ POWER UNIT & HYDRAULICS

Engine Tier 3 Equivalent:
CAT C4.4 LRC

Performance:
97 kW (130hp) @ 2200rpm

Engine Stage IIIA Constant Speed:
CAT C4.4

Performance:
98 kW (131hp) @ 1800rpm

Engine Tier 4F / Stage IV:
CAT C4.4

Performance:
98 kW (131hp) @ 2200rpm

Tank Capacities:

Fuel: 336 L (88 US Gal)

Hydraulic oil Tier 3 / Constant Speed: 564 L (149 US Gal)

Hydraulic oil Tier 4: 450 L (118 US Gal)

Pumps:

Flywheel pump: Cast iron triple 63/33/33cc/rev

PTO pump A: Cast iron triple 23/23/14cc/rev

Constant Speed Pumps:

Flywheel pump: Cast iron quad 73/41/41/33cc/rev

PTO pump: Cast iron tandem 29/29cc/rev

Motors:

Belt feeder: Cast iron 160cc/rev

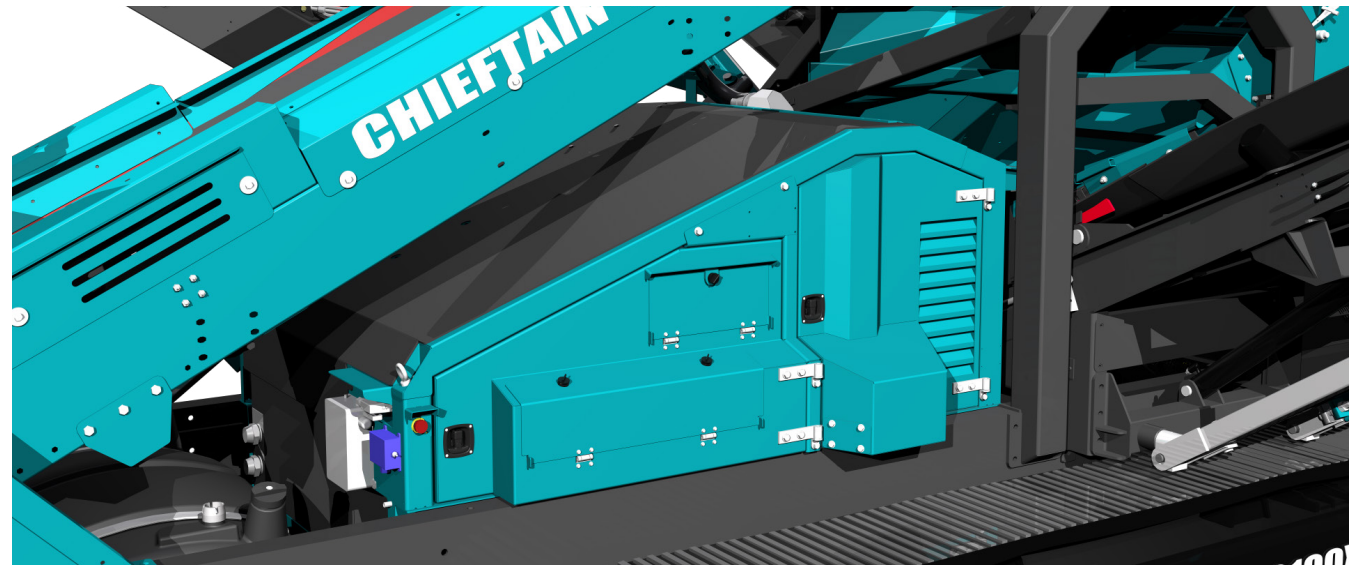
Main conveyor: Cast iron 500cc/rev

Tail conveyor: Cast iron 800cc/rev

Side conveyors: Cast iron 400cc/rev

Auxiliary conveyors: Cast iron 400cc/rev

Screen: Cast iron 80cc/rev



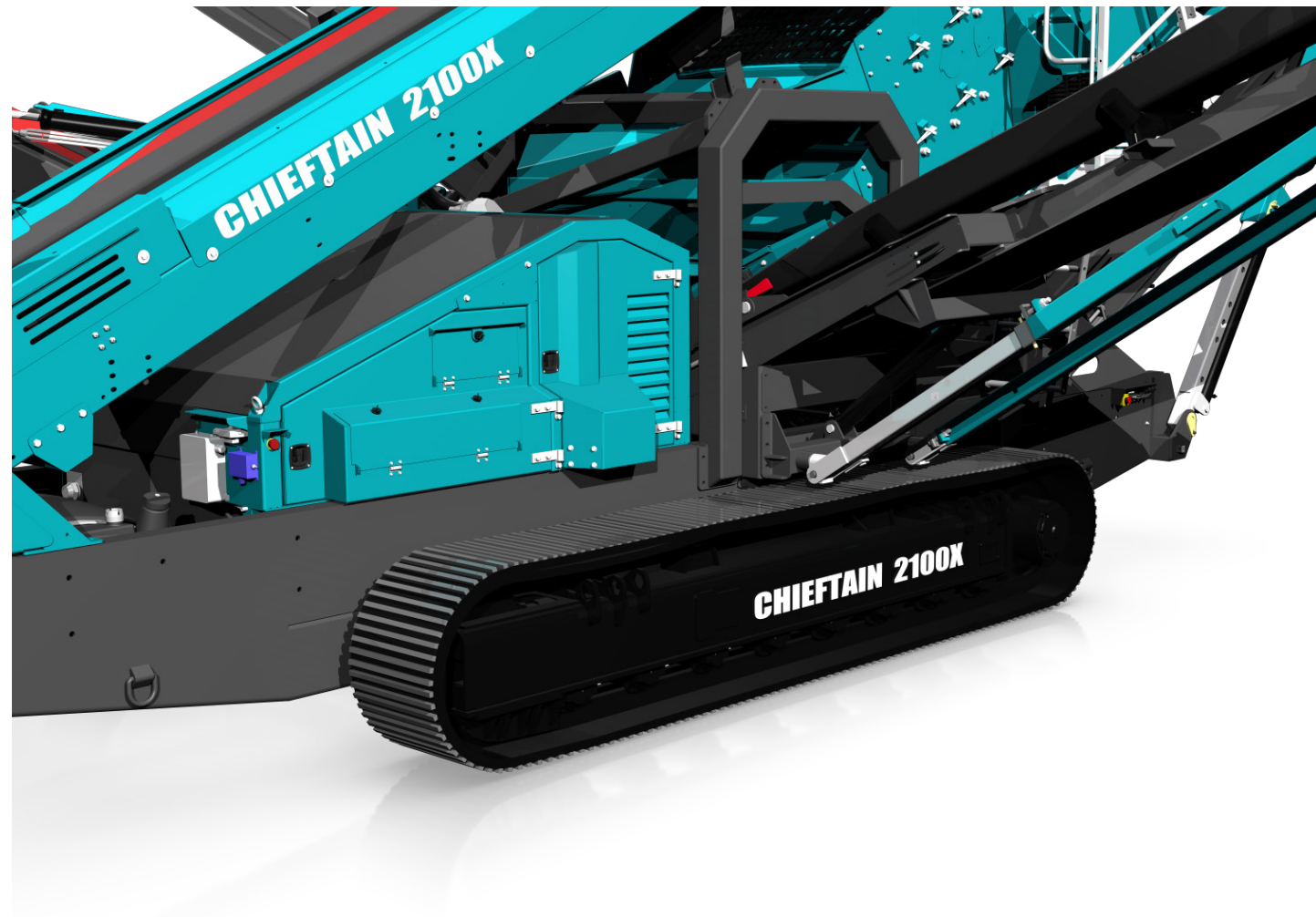


CHIEFTAIN 2100X 3 DECK



TRACKS

Track width:	500mm (1' 8")
Sprocket centres:	3838mm (12' 7")
Gradability degrees:	23.9°
Gearbox ratio:	1:166
Hydraulic motor:	85.9cc/rev
Approximate speed:	0.5kph (0.35mph)
Total flow per track:	69Lpm (approx.)

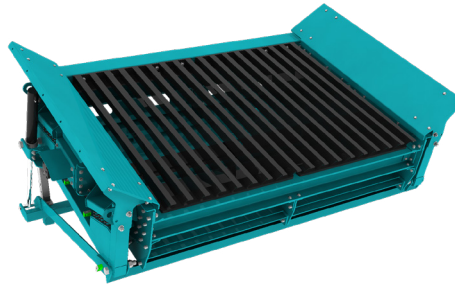




CHIEFTAIN 2100X 3 DECK



OPTIONS



DOUBLE DECK VIBRATING GRID

Target area:

3.91m (12' 10") long x 2.42m (7' 11") wide

Bottom deck screen size:

2 of 1.9m (6' 3") x 1.5m (4' 11")

Working angle: 10° - 20° (hydraulically adjustable)

Tip angle: 45° max

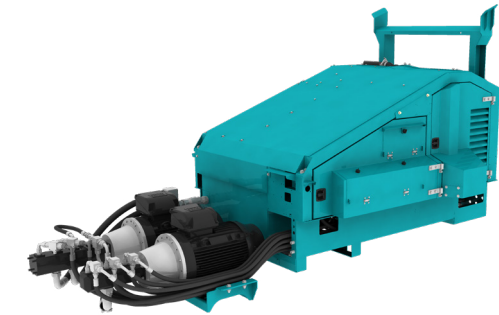
Motor: 59cc/rev

Circuit: Coupled to main conveyor circuit.

Minimum feed in height with grid (rear): 3.8m (12' 6")

Increase in transport height: +135mm (5.3")

Increase in machine weight: +3,750kg (8,267lbs)



DUAL POWER

Dual Power System:

2 of electric motors: 37 kW (50hp) & 37 kW (50hp) Diesel engine

Integrated control system

This controls either diesel-hydraulic or electric-hydraulic functions

Note: Electric motors IE3 as standard

Note: This option may alter transport dimensions and feed access. For further details please contact engineering for detailed drawings and dimensions.



CHIEFTAIN 2100X 3 DECK



↓ OPTIONS

OTHER OPTIONS

- Custom colour machine
- Auto lubrication system
- Radio controlled tracking
- Anti-rollback
- Quick release tensioning for top & middle decks
- Double deck vibrating grid
- Roll-in bogie
- Hydraulic jacking legs
- Dust suppression
- Extended length auxiliary conveyor
- Transfer conveyor in place of oversize chute
- Grid aperture: 152mm (6")
- Vibrating grid discharge chute
- Crusher feed chute (when double deck vibrating grid is selected)
- Adjustable hopper door
- Bottom deck self cleaning flexi mesh
- Extra coupling facility
- Fuel save option
- Powerscreen Pulse





CHIEFTAIN 2100X 3 DECK



↓ POWERSCREEN PULSE

RECORD, DISPLAY AND ANALYSE DATA:

HIGH EFFICIENCY THROUGH PRECISE INFORMATION

Available online anywhere and at any time: comprehensive information on the GPS location, start and stop times, fuel consumption, tonnages, cone settings, wear ratings, operating hours, maintenance status, and much more.




AVAILABLE ANYWHERE AND AT ANY TIME



DASHBOARD DISPLAY



FLEET OVERVIEW



WEEKLY REPORT DIRECT TO YOUR INBOX



GPS: MACHINE TRACKING



REPORTING UTILISATION, PERFORMANCE & PART SPECIFIC



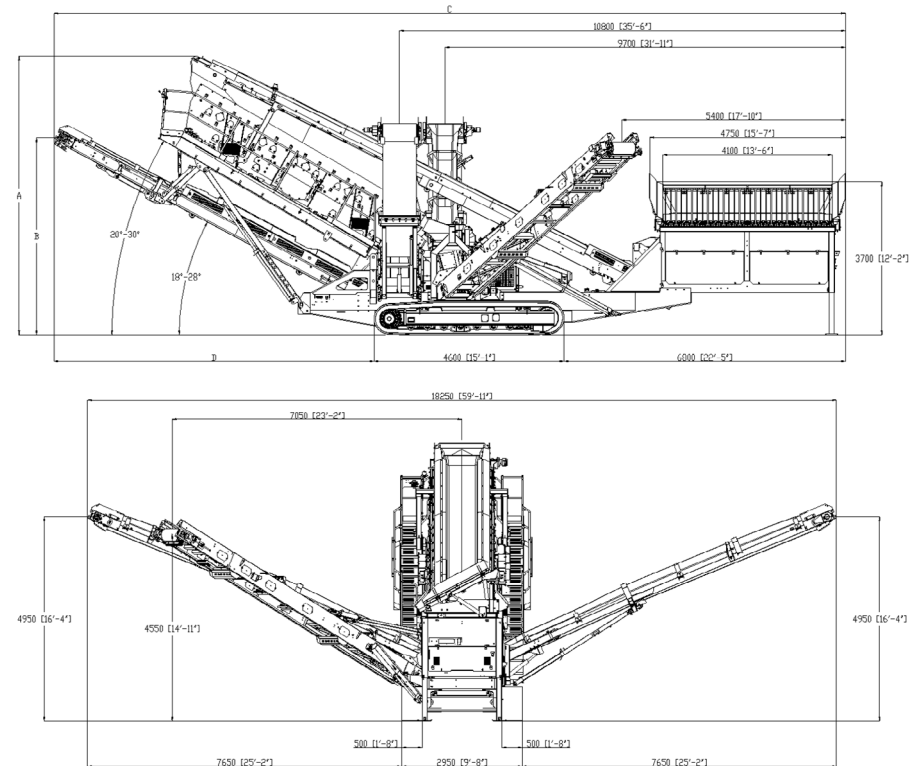
↓ DIMENSIONS

CHIEFTAIN 2100X 3 DECK



DIMENSION (MM)	SCREEN WORKING ANGLES (DEGREES)			
	20 DEG	23 DEG	27 DEG	30 DEG
A	6060	6290	6520	6720
B	3610	4020	4410	4800
C	19700	19550	19370	19170
D	8300	8150	7970	7770

Figure 1: Chieftain 2100X 3 Deck
Standard Length Auxiliary Conveyor
Working Position



MORE DIMENSIONS OVERLEAF

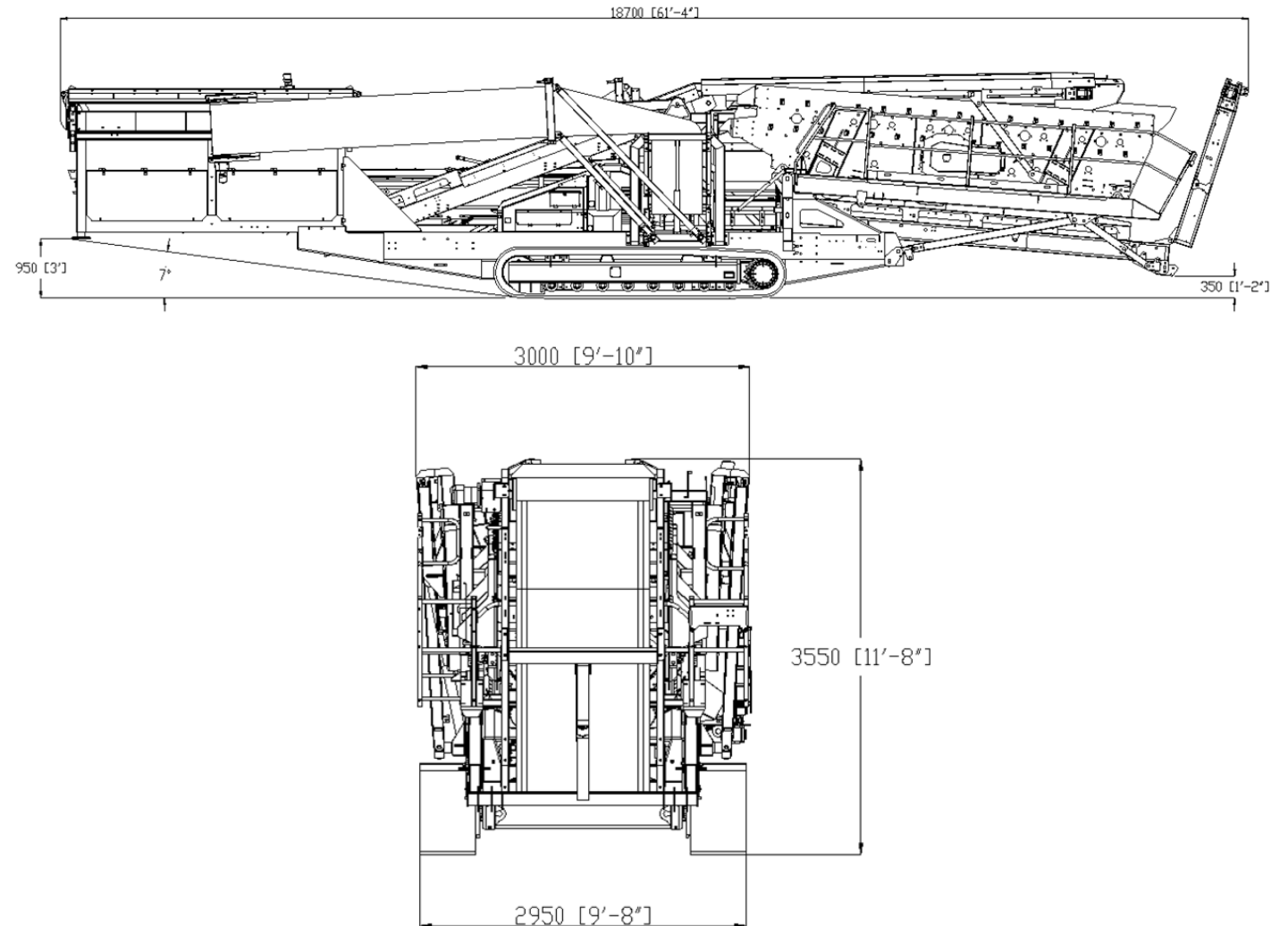


CHIEFTAIN 2100X 3 DECK



DIMENSIONS

Figure 2: Chieftain 2100X 3 Deck
Standard Length Auxiliary Conveyor
Transport Position



[MORE DIMENSIONS OVERLEAF](#)



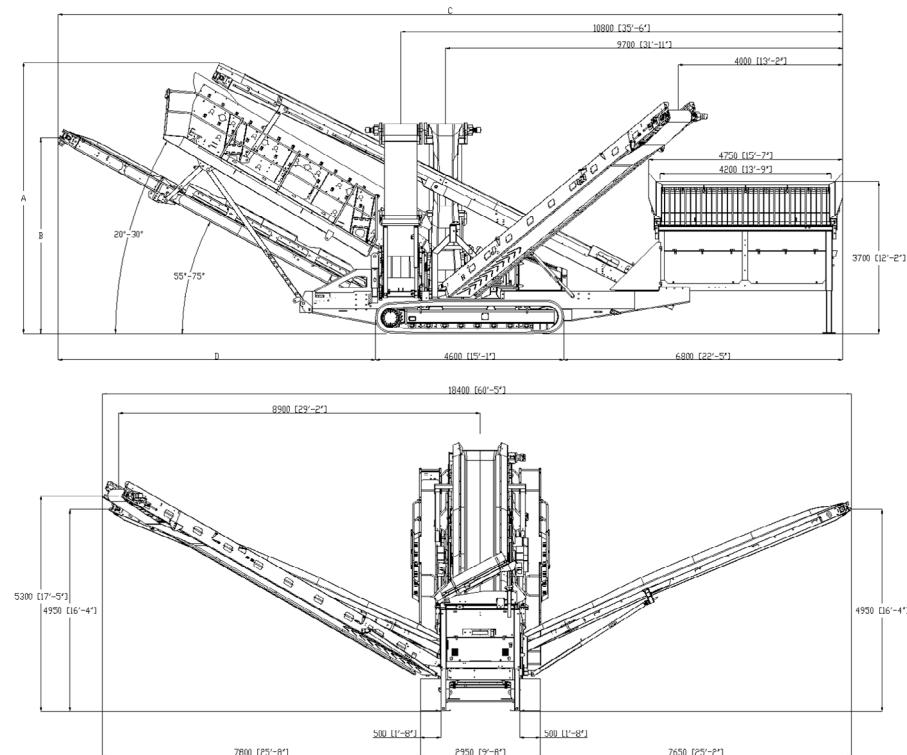
↓ DIMENSIONS

CHIEFTAIN 2100X 3 DECK



DIMENSION (MM)	SCREEN WORKING ANGLES (DEGREES)			
	20 DEG	23 DEG	27 DEG	30 DEG
A	6060	6290	6520	6720
B	3610	4020	4410	4800
C	19700	19550	19370	19170
D	8300	8150	7970	7770

Figure 3: Chieftain 2100X 3 Deck
Extended Length Auxiliary Conveyor
Working Position



MORE DIMENSIONS OVERLEAF

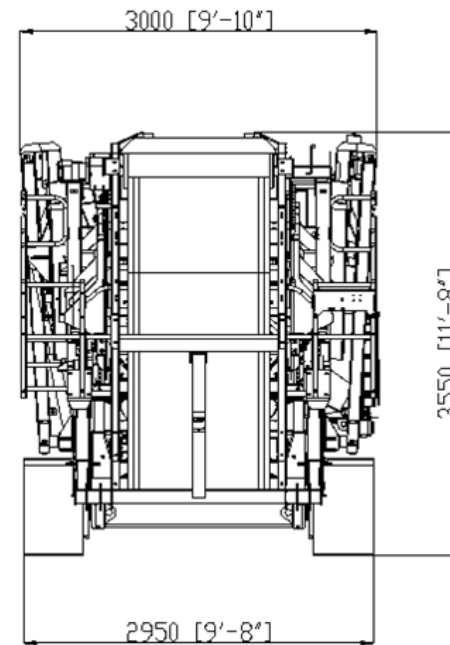
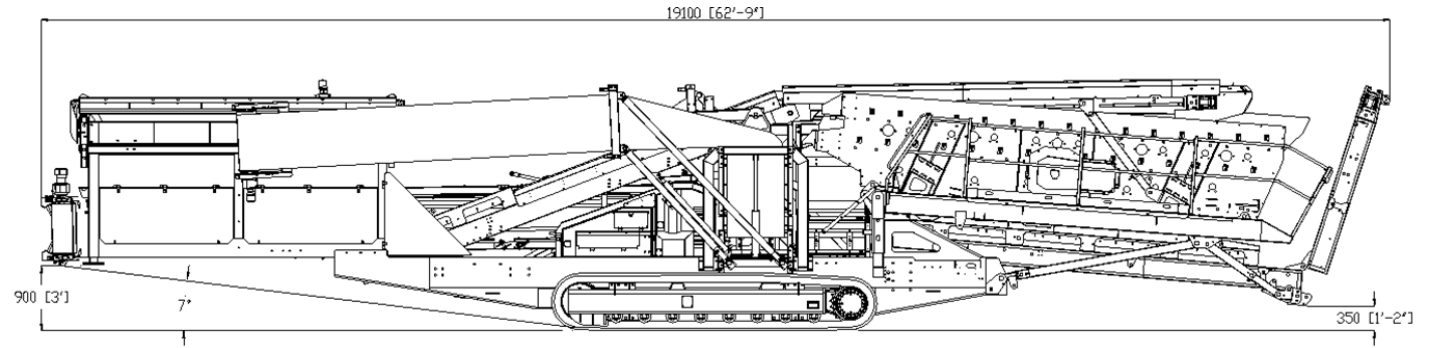


↓ DIMENSIONS

CHIEFTAIN 2100X 3 DECK



Figure 4: Chieftain 2100X 3 Deck
Extended Length Auxiliary Conveyor
Transport Position



MORE DIMENSIONS OVERLEAF



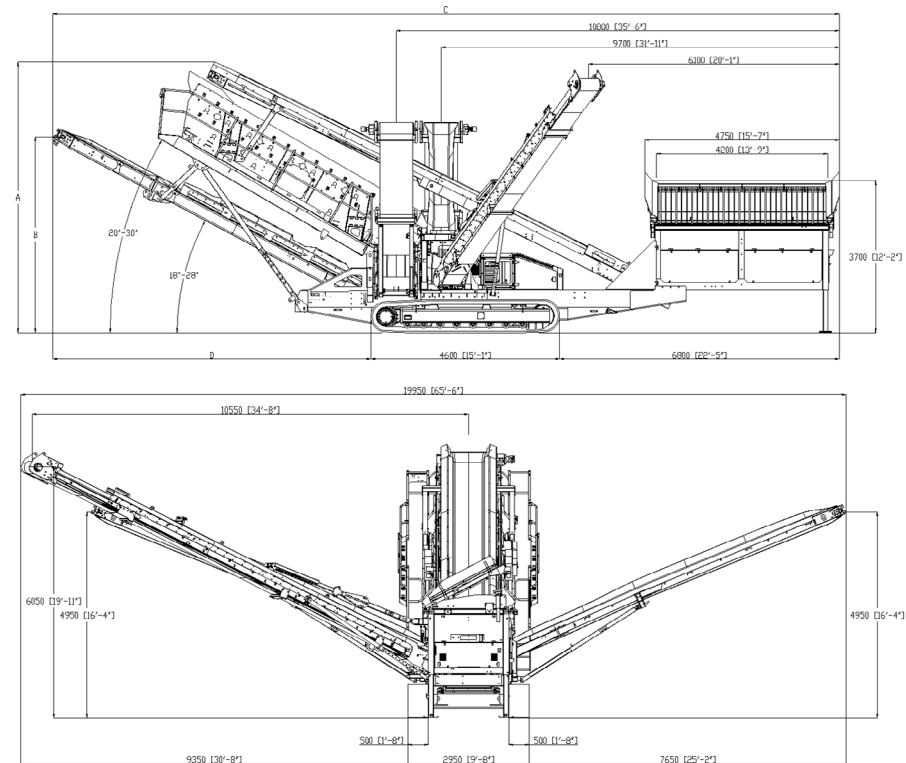
↓ DIMENSIONS

CHIEFTAIN 2100X 3 DECK



DIMENSION (MM)	SCREEN WORKING ANGLES (DEGREES)			
	20 DEG	23 DEG	27 DEG	30 DEG
A	6060	6290	6520	6720
B	3610	4020	4410	4800
C	19700	19550	19370	19170
D	8300	8150	7970	7770

Figure 5: Chieftain 2100X 3 Deck
Hydraulic Extended Length Auxiliary Conveyor
Working Position



MORE DIMENSIONS OVERLEAF

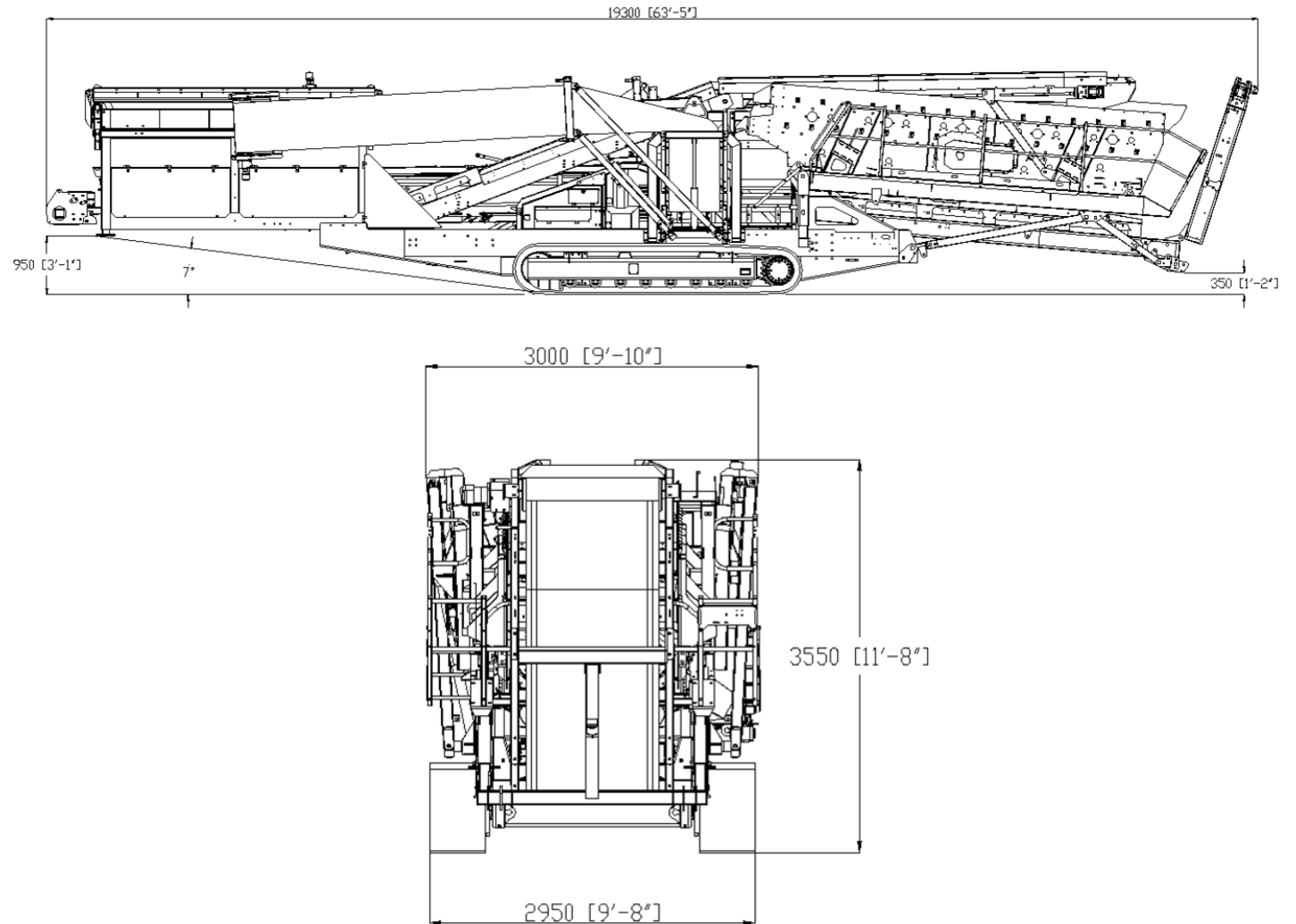


CHIEFTAIN 2100X 3 DECK



DIMENSIONS

Figure 6: Chieftain 2100X 3 Deck
Hydraulic Extended Length Auxiliary Conveyor
Transport Position



[MORE DIMENSIONS OVERLEAF](#)



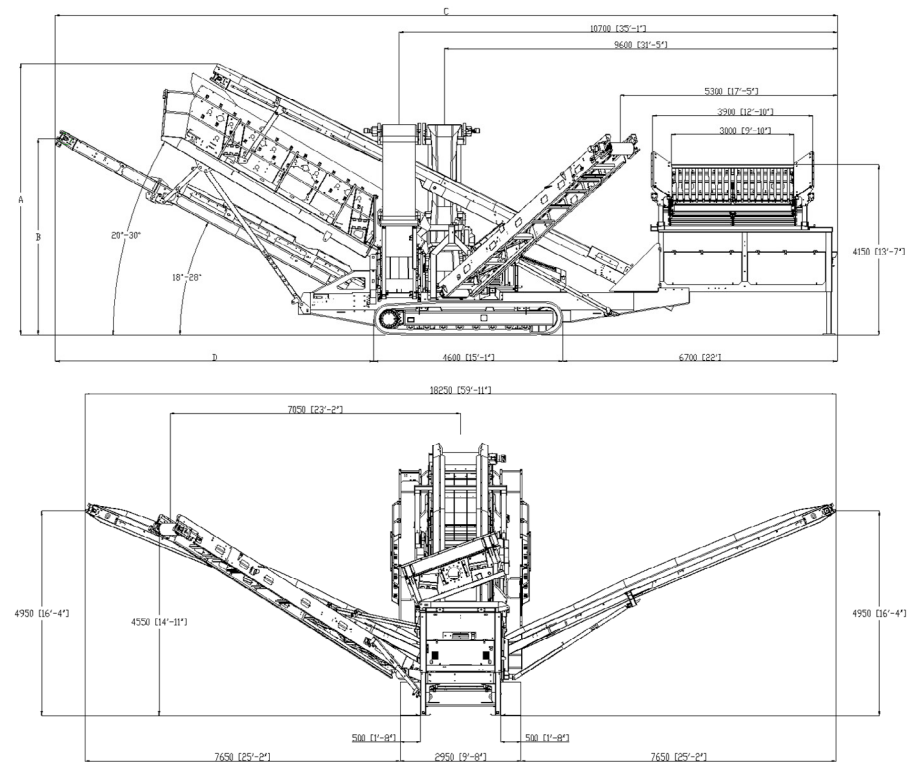
↓ DIMENSIONS

CHIEFTAIN 2100X 3 DECK



DIMENSION (MM)	SCREEN WORKING ANGLES (DEGREES)			
	20 DEG	23 DEG	27 DEG	30 DEG
A	6060	6290	6520	6720
B	3610	4020	4410	4800
C	19560	19410	19230	19030
D	8300	8150	7970	7770

Figure 7: Chieftain 2100X 3 Deck
Double Deck Vibrating Grid
Standard Length Auxiliary Conveyor - Working Position



MORE DIMENSIONS OVERLEAF

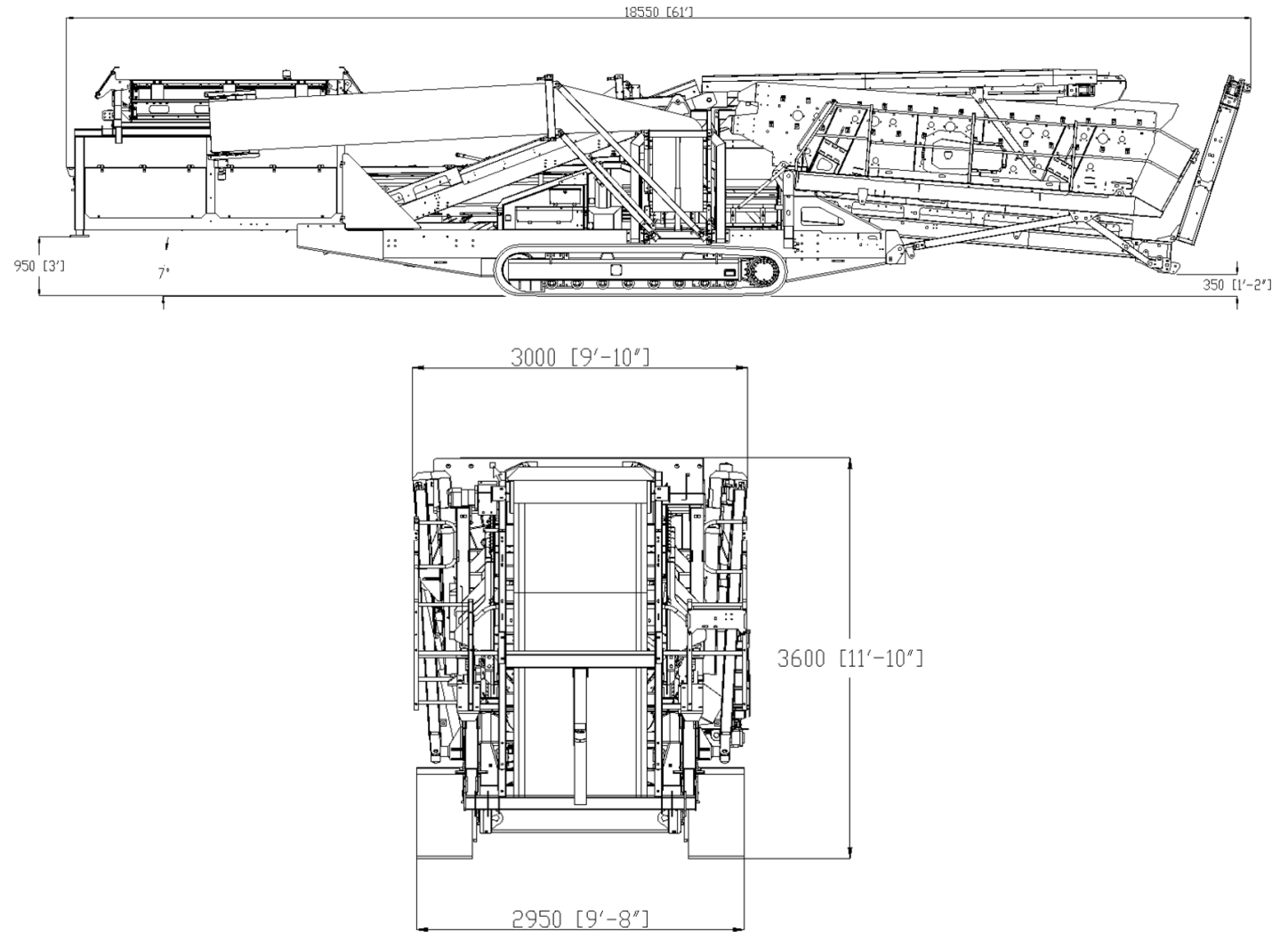


CHIEFTAIN 2100X 3 DECK



DIMENSIONS

Figure 8: Chieftain 2100X 3 Deck
Double Deck Vibrating Grid
Standard Length Auxiliary Conveyor - Transport Position



[MORE DIMENSIONS OVERLEAF](#)



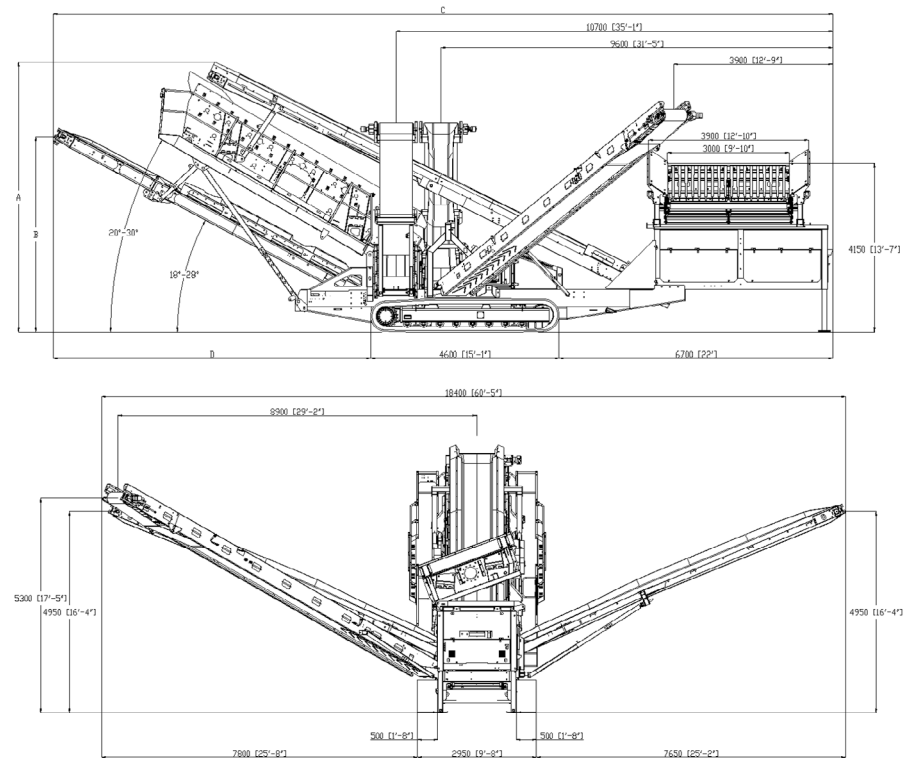
↓ DIMENSIONS

CHIEFTAIN 2100X 3 DECK



DIMENSION (MM)	SCREEN WORKING ANGLES (DEGREES)			
	20 DEG	23 DEG	27 DEG	30 DEG
A	6060	6290	6520	6720
B	3610	4020	4410	4800
C	19560	19410	19230	19030
D	8300	8150	7970	7770

Figure 9: Chieftain 2100X 3 Deck
Double Deck Vibrating Grid
Extended Length Auxiliary Conveyor - Working Position



MORE DIMENSIONS OVERLEAF

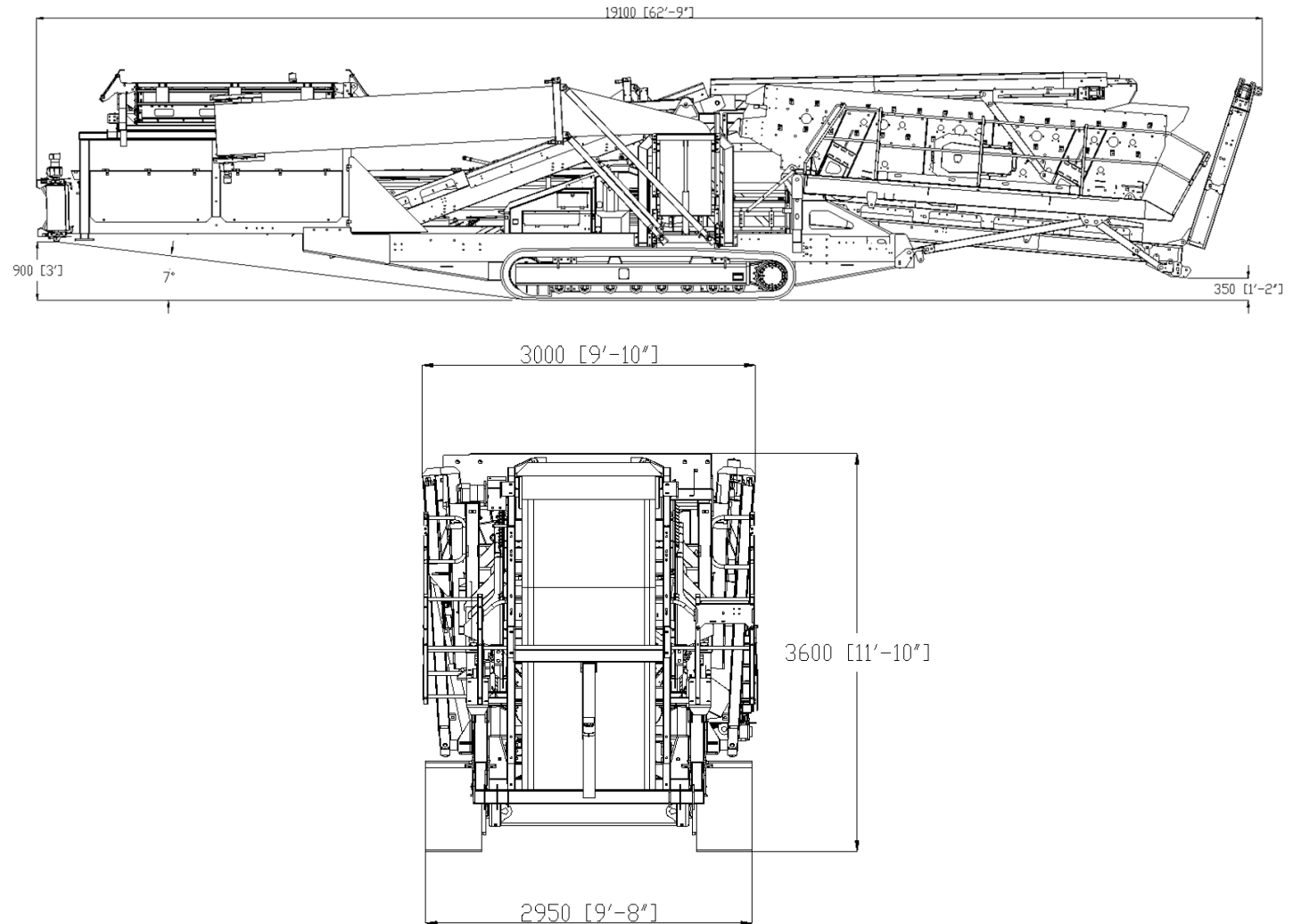


CHIEFTAIN 2100X 3 DECK



DIMENSIONS

Figure 10: Chieftain 2100X 3 Deck
Double Deck Vibrating Grid
Extended Length Auxiliary Conveyor - Transport Position



MORE DIMENSIONS OVERLEAF

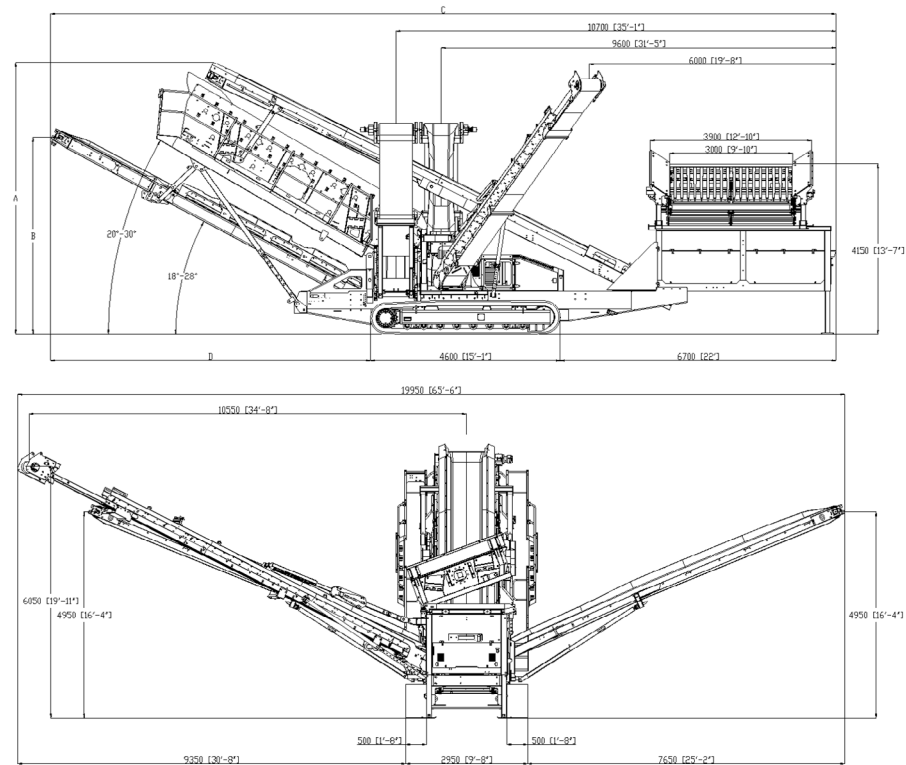


DIMENSIONS

CHIEFTAIN 2100X 3 DECK

DIMENSION (MM)	SCREEN WORKING ANGLES (DEGREES)			
	20 DEG	23 DEG	27 DEG	30 DEG
A	6060	6290	6520	6720
B	3610	4020	4410	4800
C	19560	19410	19230	19030
D	8300	8150	7970	7770

Figure 11: Chieftain 2100X 3 Deck
Double Deck Vibrating Grid
Hydraulic Extended Length Auxiliary Conveyor - Working Position



MORE DIMENSIONS OVERLEAF

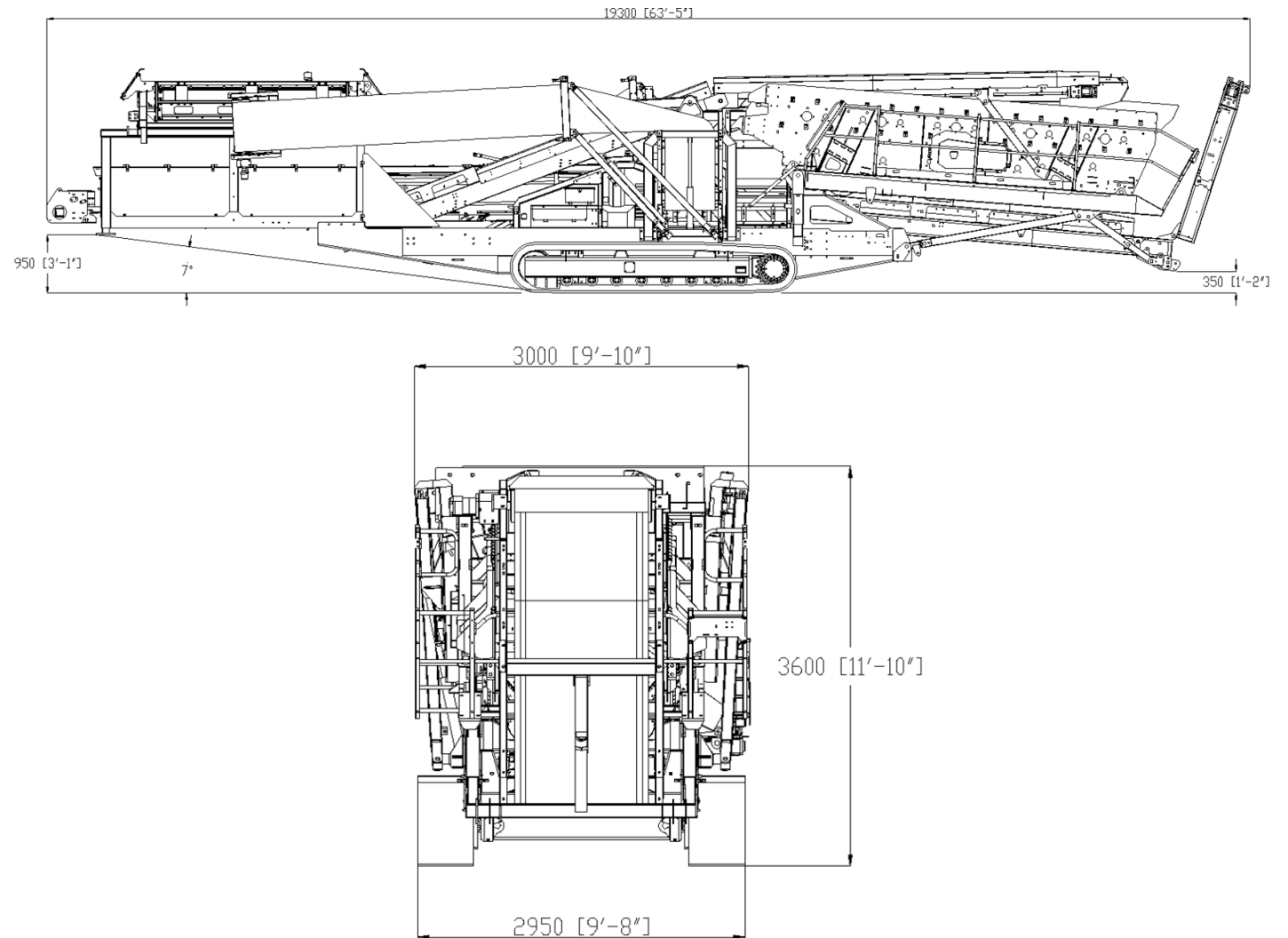


CHIEFTAIN 2100X 3 DECK



DIMENSIONS

Figure 12: Chieftain 2100X 3 Deck
Double Deck Vibrating Grid
Hydraulic Extended Length Auxiliary Conveyor - Transport Position





Powerscreen equipment complies with CE requirements.

Please consult Powerscreen if you have any other specific requirements in respect of guarding, noise or vibration levels, dust emissions, or any other factors relevant to health and safety measures or environmental protection needs. On receipt of specific requests, we will endeavour to ascertain the need for additional equipment and, if appropriate, quote extra to contract prices.

All reasonable steps have been taken to ensure the accuracy of this publication, however due to a policy of continual product development we reserve the right to change specifications without notice.

It is the importers' responsibility to check that all equipment supplied complies with local legislation regulatory requirements.

Plant performance figures given in this brochure are for illustration purposes only and will vary depending upon various factors, including feed material gradings and characteristics. Information relating to capacity or performance contained within this publication is not intended to be, nor will be, legally binding.

GET IN TOUCH

Dungannon

200 Coalisland Road, Dungannon,
Co Tyrone, BT71 4DR, Northern Ireland
Tel: +44 (0) 28 87 718 500
Fax: +44 (0) 28 87 747 231

Louisville

11001 Electron Drive,
Louisville, Kentucky, 40299 USA
Tel: +1 502 736 5200
Fax: +1 502 736 5202

