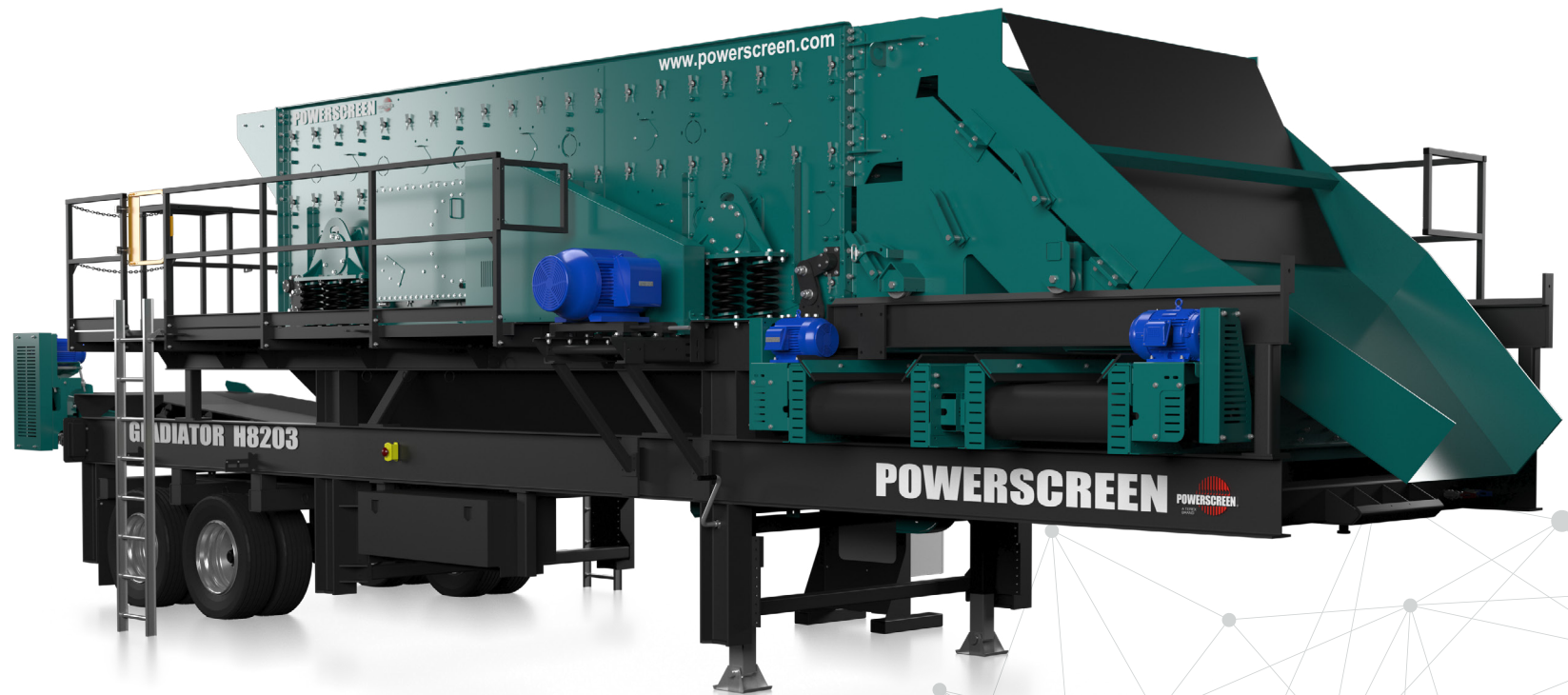


# POWERSCREEN® GLADIATOR H8203

PORTABLE ELECTRIC SCREENING PLANT



TECHNICAL SPECIFICATION - REV 1 01/01/2022





## GLADIATOR H8203



# OVERVIEW

### SPECIFICATION

<b>Transport</b>	<b>Length</b>	46' 6" (14.2m)
	<b>Height</b>	13' 6" (4.12m)
	<b>Width</b>	12' (3.66m)
<b>Working</b>	<b>Length</b>	46' 6" (14.2m)
	<b>Height</b>	13' 6" (4.12m)
	<b>Width</b>	15' 8" (4.78m)
<b>Screenbox:</b>	20' x 8' (6.1m x 2.44m)	
<b>Plant Colour</b>	RAL 5021, RAL 7024	
<b>Total Weight:</b>	65,500lbs (29,770kg)	
<b>Axle Load:</b>	37,000lbs (16,820kg)	
<b>King Pin Load:</b>	28,500lbs (12,950kg)	

The Gladiator H8203 is a new, electrically driven, wheeled horizontal screening plant which offers excellent screening and blending capabilities.

It features the tried and tested Terex Cedarapids 20' x 8' heavy duty, triple shaft oval stroke screenbox which is chassis mounted on wheels - meaning ease of movement and quick set up.

The Gladiator H8203 is a rugged and heavy duty screening system, with many patented and patent pending features. The unit is fully electrically driven, which makes it the ideal solution in areas where there are strict environmental regulations.

### FEATURES & BENEFITS

- High capacity up to 1102 US tph / 1000 tph (depending on media sizes & material type).
- Maximum feed size 10" (250mm). Maximum allowable feed size may vary depending on material type and screenbox media.
- Quick set-up time.
- Maintenance platforms on both sides of screen.
- Heavy duty triple shaft horizontal screenbox with adjustable stroke, angle & speed.
- Multiple blending chute options to ensure versatility.
- E-Stops on both sides of the unit.
- Optional Honda powerunit for hydraulic options such as hydraulic chutes or hydraulic jacking legs.

### APPLICATIONS



#### Aggregate

- Sand & gravel
- Blasted rock
- River rock



#### Recycling

- Top soil
- C&D waste
- Composed materials
- Wood by-products
- Overburden
- Foundry waste



#### Mining

- Processed ores
- Processed minerals



## GLADIATOR H8203



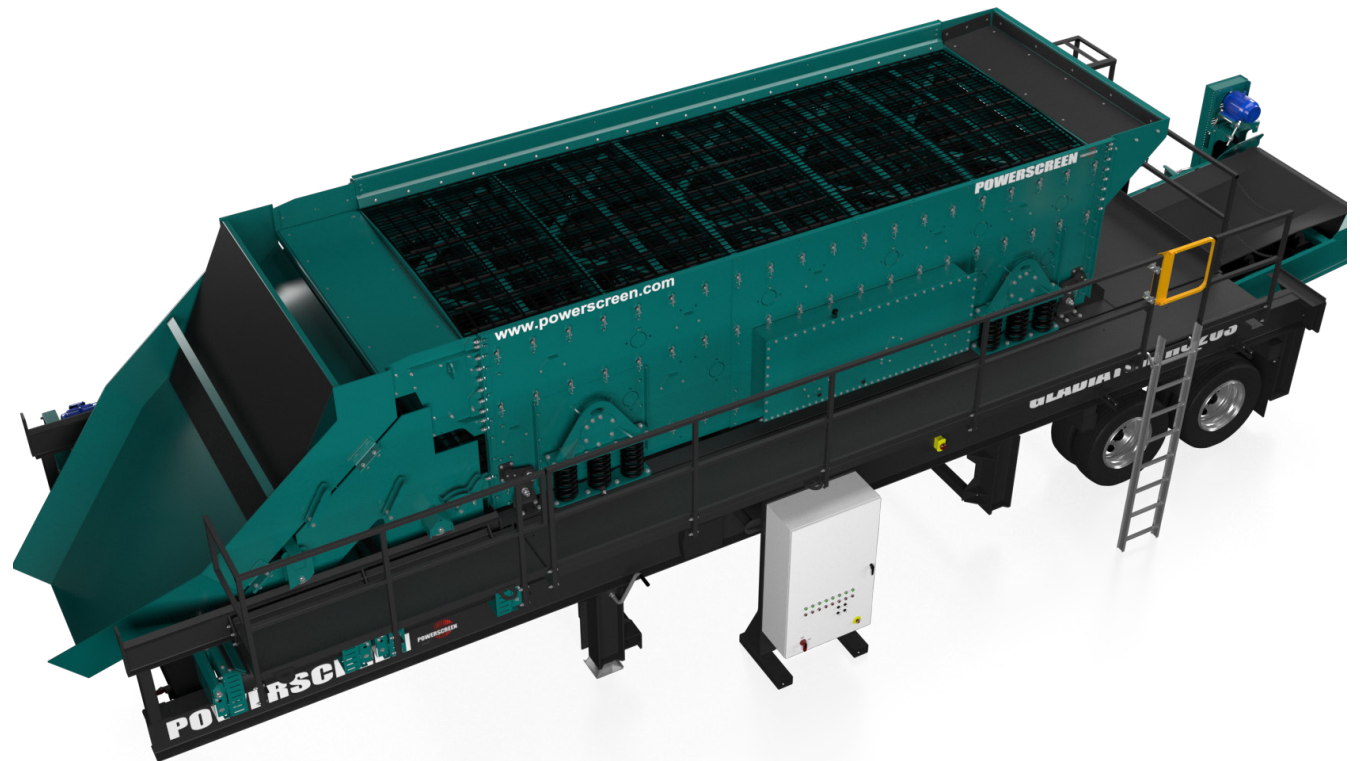
# SCREENBOX

20' x 8' (6.1m x 2.03m) (All 3 decks)  
3 deck triple shaft horizontal screenbox

Breaker-box with wear resistant steel replaceable wearplate  
Hi-torque screen motor mounted direct to  
Screenbox, pulley driven  
Steel springs  
Wear plates on pipeunits

Side tensioned all decks  
Quick release wedge tensioning system  
(optional depending on screen media)

Roll-in chute system  
50hp (37kW), 1200rpm screen motor





## GLADIATOR H8203



# UNDERSCREEN CONVEYOR

<b>Belt Width:</b>	60" (1520mm)
<b>Drum Centes:</b>	33' 5" (10,185mm)
<b>Belt Type:</b>	Plain
<b>Belt Spec:</b>	3 Ply 330 PIW
<b>Max Speed:</b>	310 ff/min (95 m/min)
<b>Discharge Height:</b>	5' 4" (1.62m)
<b>Stockpile Capacity:</b>	8.3 yd <sup>3</sup> (6.3m <sup>3</sup> )
<b>Motor:</b>	10hp (7.5kW)
	Fixed angle
	Flexco TM scraper

## UNDERSCREEN HOPPER

Manufactured from 6mm (1/4") mild steel  
Adjustable rubber flashing



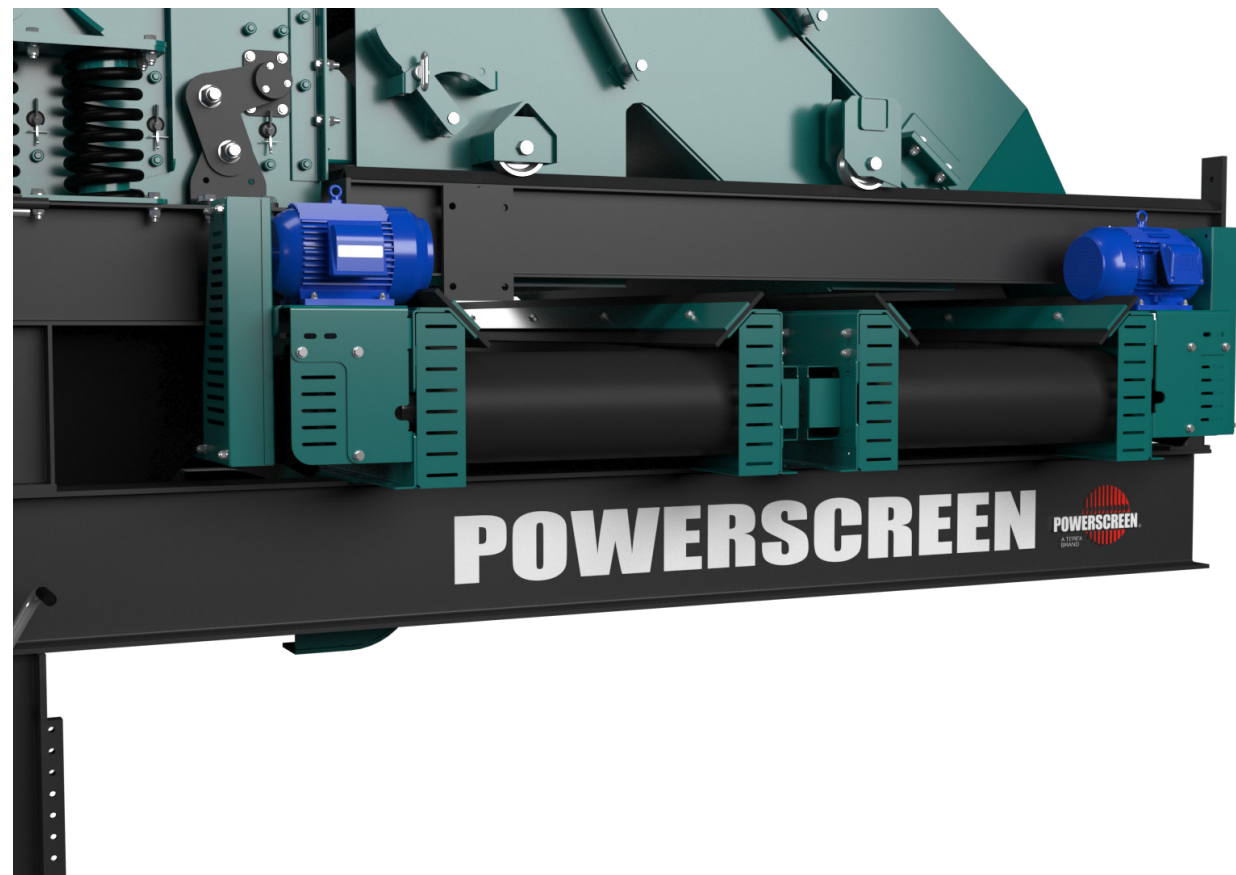


## GLADIATOR H8203



# CROSS CONVEYORS

- Belt Width:** 36" (915mm)
  - Drum Centes:** 10' 5" (3175mm)
  - Belt Type:** Plain
  - Belt Spec:** 3 Ply 330 PIW
  - Max Speed:** 345 ft/min (105 m/min)
  - Discharge Height:** 6' (1830mm)
  - Motor:** 7.5hp (5.6kW)
- Reversible as standard with Switchgear





## GLADIATOR H8203



## BOGIE

Type:	Heavy duty sprung tandem axle
Size:	8 of 11R X 22.5 radial tyres
No of Axles:	2
No of Studs:	10
Brakes:	Air





## GLADIATOR H8203

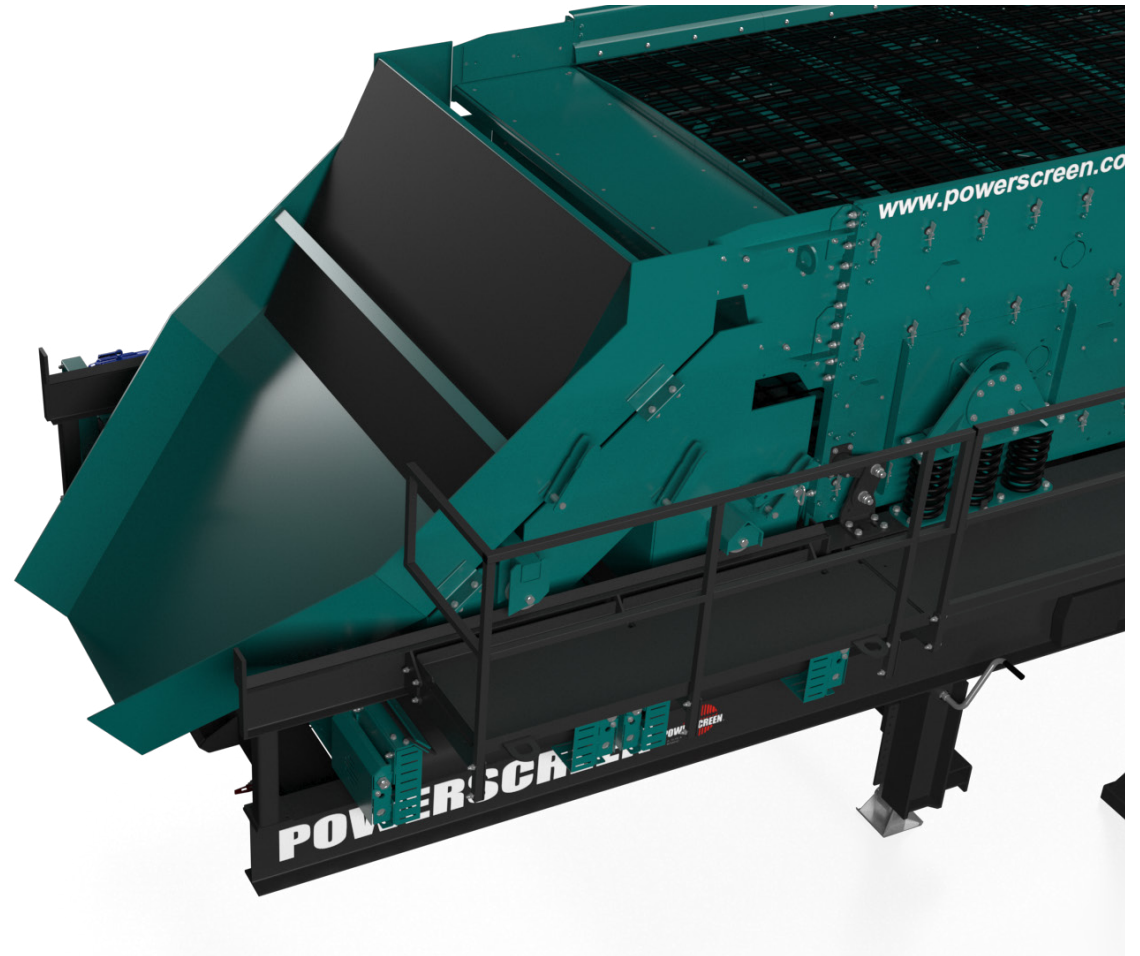


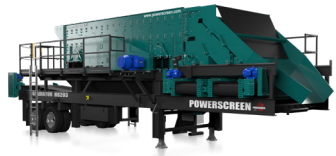
## CHUTES

Fabricated from 10mm (3/8") AR steel  
Roll away for ease of mesh change and serviceability  
4 blending gates per deck  
Hydraulic roll away option (requires Gas engine or hydraulic jacking legs)

## GUARDS

Tail pulley guard  
V - Belt guard & nip guard on head pulley  
**\*NOTE\*** - These guards may not meet every local standard - it is the responsibility of the Dealer to ensure conformity





## GLADIATOR H8203



## OTHER

### EXTERNAL POWER REQUIREMENTS

460V  
3 Phase  
60 Hz

	Power
Screenbox	50hp (37kW)
Underscreen Conveyor	10hp (7.5kW)
Cross Conveyor x 2	7.5hp (5.6kW) x 2
<b>Total Power Required</b>	<b>75hp (55.7kW)</b>

### TOOLBOX

60" (1524mm) long  
Lockable lid  
RHS of plant

### JACKING LEGS

Crank jacks as standard x 2

### PLATFORMS

2 x Aluminium ladders  
Folding catwalk to minimise transport width  
Self closing gates  
Diamond plate flooring with handrail, knee rail & kick plate on 3 sides of the screen  
6 storage tubes for screen slide rails on outside of catwalk  
Kingpin end of walkways (non drive side) extended for roll away chutes







## GLADIATOR H8203



## ↓ OPTIONS

- Manual button switchgear panel - NEMA 4 enclosure, NEMA components, breakers, reversing starters for cross conveyors, three position start/stop push buttons, mains disconnect, emergency stop, 4 x extra starters. Includes panel stand but no lead cord. Manually remove from plant.
- Deluxe switchgear panel - includes all of the above in addition to quick release plugs and external interlocking
- 100ft lead cord - to connect panel to power source
- Add hydraulics to roll away chutes - 13hp Honda powerunit
- 4 no of 6'' x 16'' levelling hydraulic jacks & 13hp Honda powerunit
- 4 no of 6'' x 24'' run on hydraulic jacks & 13hp Honda powerunit
- 2 no of additional crank jacks
- Safety tie off cable to keep power clear of the screen



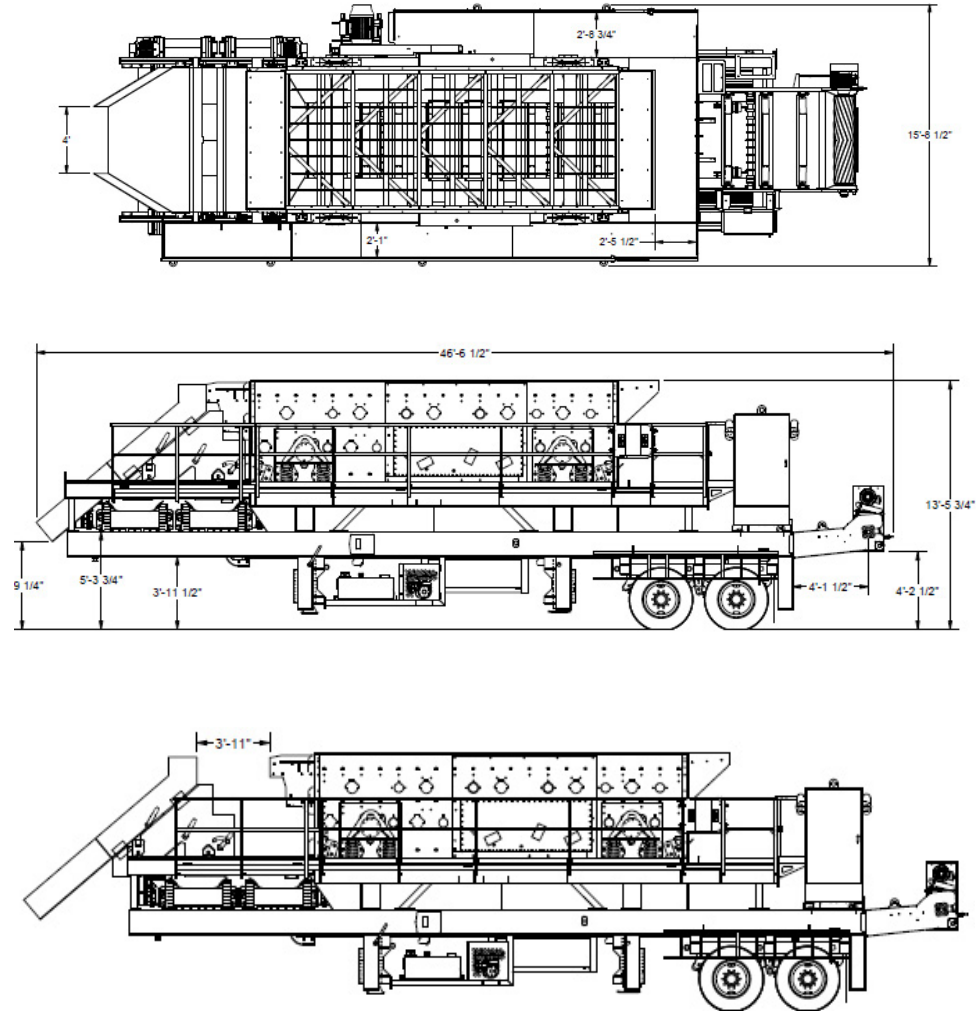


# GLADIATOR H8203



## DIMENSIONS

Figure 1: Gladiator H8203  
Working Position



<b>Total Weight:</b>	65,500lbs (29,770kg)
<b>Axle Load:</b>	37,000lbs (16,820kg)
<b>King Pin Load:</b>	28,500lbs (12,950kg)

[MORE DIMENSIONS OVERLEAF](#)

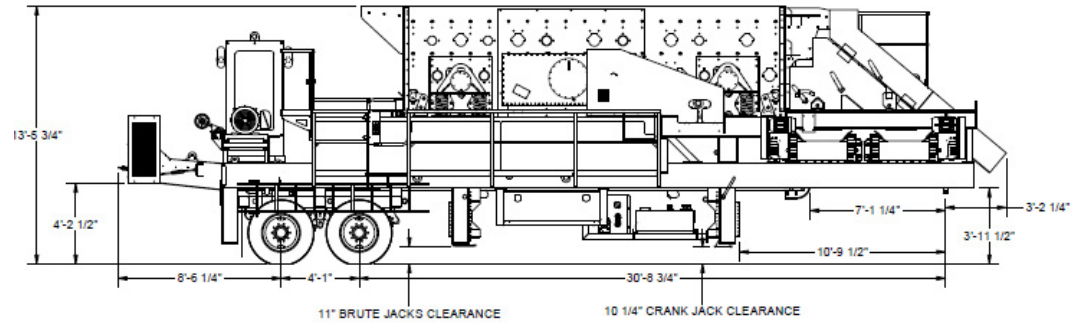
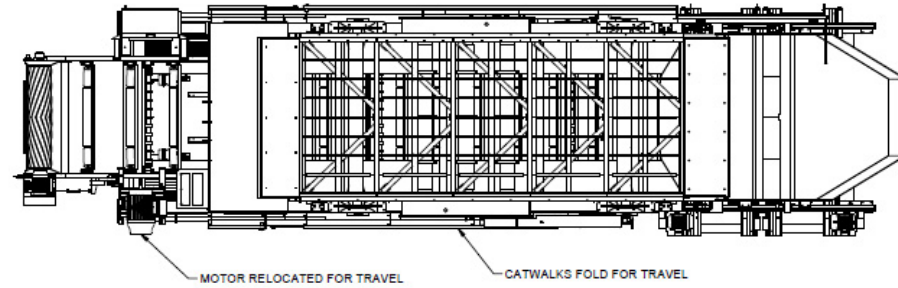


# GLADIATOR H8203

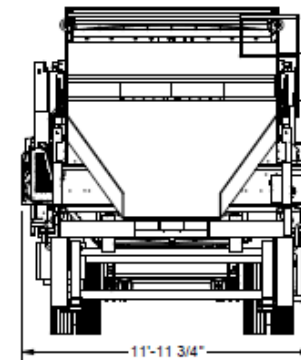


## ↓ DIMENSIONS

Figure 2: Gladiator H8203  
Transport Position



**Total Weight:** 65,500lbs (29,770kg)  
**Axle Load:** 37,000lbs (16,820kg)  
**King Pin Load:** 28,500lbs (12,950kg)





Please consult Powerscreen if you have any other specific requirements in respect of guarding, noise or vibration levels, dust emissions, or any other factors relevant to health and safety measures or environmental protection needs. On receipt of specific requests, we will endeavour to ascertain the need for additional equipment and, if appropriate, quote extra to contract prices.

All reasonable steps have been taken to ensure the accuracy of this publication, however due to a policy of continual product development we reserve the right to change specifications without notice.

It is the importers' responsibility to check that all equipment supplied complies with local legislation regulatory requirements.

Plant performance figures given in this brochure are for illustration purposes only and will vary depending upon various factors, including feed material gradings and characteristics. Information relating to capacity or performance contained within this publication is not intended to be, nor will be, legally binding.

## GET IN TOUCH

### **Dungannon**

200 Coalisland Road, Dungannon,  
Co Tyrone, BT71 4DR, Northern Ireland  
Tel: +44 (0) 28 87 718 500  
Fax: +44 (0) 28 87 747 231

### **Louisville**

11001 Electron Drive,  
Louisville, Kentucky, 40299 USA  
Tel: +1 502 736 5200  
Fax: +1 502 736 5202

